



ALUMINCO[®]
ALUMINIUM BUILDING SYSTEMS

Crystalline[®]
railing system

**Glass Supporting System
Systèmes de Garde Corps Vitres**



40 years offering innovative and sustainable solutions for architectural aluminium systems. And we keep on going!

Since 1982, targeting the international community of architects, designers, engineers, construction perfectionists and fabricators, ALUMINCO offers a complete range of architectural aluminium solutions that are innovative, energy efficient and sustainable, embodying top quality, high functionality and contemporary design standards.

In Aluminco we implement Quality, Environmental, Occupational Health and Safety, and Energy Management Systems certified according to international standards ISO 9001, ISO 14001, ISO 45001 and ISO 50001 respectively, as well as Factory Production Control System certified according to EN 15088, EN 1090 and Qualicoat Seaside Class. All our product series are approved by certified by internationally recognized institutes for their outstanding characteristics and performance.

Depuis 40 ans Aluminco propose des solutions innovantes et durables pour les systèmes architecturaux en aluminium. Et on continue !

Depuis 1982, ciblant la communauté internationale des architectes, designers, ingénieurs, professionnels de la construction et fabricants, ALUMINCO propose une gamme complète de solutions architecturales en aluminium innovantes, écoénergétiques et durables toute en incarnant une qualité supérieure, une fonctionnalité élevée et des normes de conception contemporaines.

Chez Aluminco, nous mettons en œuvre des systèmes pour la gestion de la qualité, de l'environnement, de la santé et de la sécurité au travail. Notre usine est de ce fait certifié selon les normes internationales ISO 9001, ISO 14001, ISO 45001 et ISO 50001. Également le contrôle de la production est certifié selon les normes EN 15088, EN 1090, les certifications Qualicoat, Qualimarine, et Qualanod font également partie de notre gestion de qualité. Afin de répondre à toutes les normes de sécurité différentes en vigueur, nos produits sont certifiés par des instituts internationalement reconnus.

WE ARE
A PART OF
TOMORROW



SYSTEMS MATRIX - INDEX

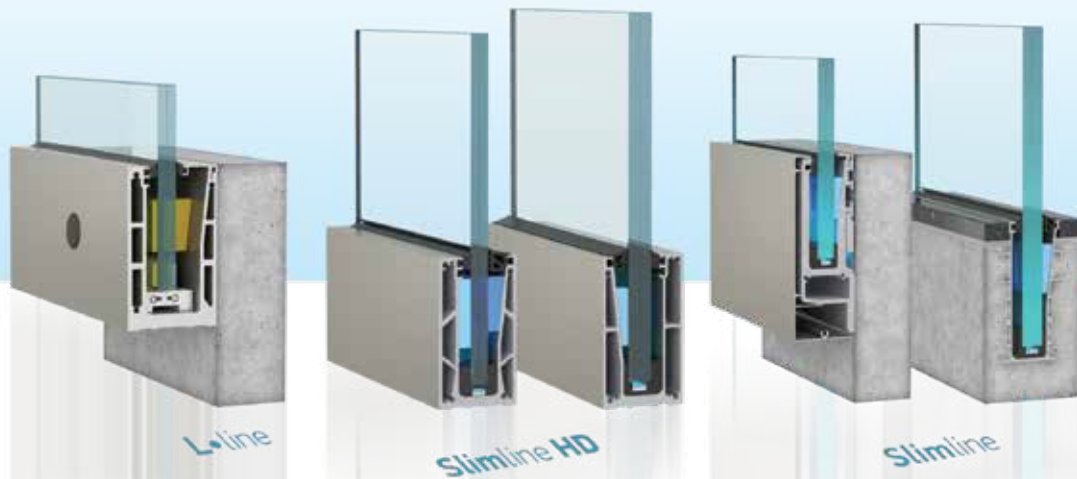
SYSTEM SYSTÈME	MOUNTING MONTAGE			GLASS THICKNESS ¹ ÉPAISSEUR DE VERRE ¹	LOAD
	Top Mount Sur Sol	Side Mount Latéral	In-Floor Encastré		
A LINE	■			17.52 mm	≤ 1 kN/m
A10 LINE	■			10.76 mm	≤ 0.5 kN/m
C2 LINE	■			17.52 / 21.52 mm	≤ 1 kN/m
DS LINE		■		17.52 / 21.52 mm	≤ 1 kN/m
L LINE	■	■		17.52 - 21.52 mm	≥ 3 kN/m
SLIM LINE HD*	■			13.52 - 21.52 mm	≤ 2.5 kN/m
SLIM LINE	■	■	■	11.52 - 21.52 mm	≤ 1 kN/m



*SLIM LINE HEAVY DUTY

1. GLASS: Laminated Tempered Glass
VERRE: Verre trempé laminé

DOMAIN OF APPLICATION ² DOMAIN D' APPLICATION ²			TESTED & APPROVED BY TESTÉ & APPROUVÉ						PAGE
Private Privé	Commercial	Public Publique	IFT Rosenheim	BBRI	FTL	Instituto Giordano	Intertek	CSTB	
■	■		■			■			10
■			■						16
■	■		■		■	■			24
■	■					■			32
■	■	■	■	■			■	■	38
■	■	■	■					■	64
■	■		■					■	74



2. PRIVATE: Spaces such as Houses, Residences, Villas / USAGE RESIDENTIEL: Espaces comme Maisons, Résidences, Villas
 COMMERCIAL: Spaces such as Offices, Shops, Retails / USAGE COMMERCIAL: Espaces tels que Bureaux, Centres commerciaux
 PUBLIC: Spaces such as Shopping Malls, Stadiums, Airports / ESPACES PUBLIQUES: Espaces tels que centres commerciaux, stades, aéroports

General information

Aluminium

No other material can match the characteristics of aluminium. Light Weight/Poids but strong at the same time, resisting to the most severe weather conditions, due to the application of oxide layer that protects the metal from corrosion. This layer is further strengthened by anodisation, providing even greater weather resistance. Furthermore, it is the most environmental friendly metal, as it is fully recyclable and non-toxic.

Aluminium has a unique combination of attractive properties:

- Low Weight/Poids
- High strength
- Superior malleability
- Easy machining
- Excellent corrosion resistance
- Easy to mill, drill, cut, punch, bend, weld, bond, tape.

Unless stated otherwise in our catalogue, all of Crystalline types are brushed and anodized, make them ideal for both indoor and outdoor use.

Cleaning: Aluminium products can be cleaned with warm water and soap.

Some 75 percent of all aluminium ever produced is still in use! Aluminium can be reused for the same purposes over and over again. Unlike many other materials, aluminium does not lose its unique properties. Furthermore, the energy needed to produce secondary aluminium is only 5 percent of the original energy input.

Use of glass panels in Crystalline installations

A wide range of glass panels can be integrated with Crystalline system, in various thicknesses and characteristics according to specifications. There are two main categories according to EN12543 and EN12600 specified by the European Union concerning the thermal treatment of the glass.

More specifically, EN12543 specifies the use of tempered and laminated glass with the insert of PVB membranes. This type of glass panels have the following qualities:

- In case of breakage, they do not break in large and sharp pieces.
- Even in case of such breakage, the broken glass pieces remain attached on the PVB surface without putting in danger the safety of nearby persons. The fabrication of these tempered and laminated glass panels is being carried out by thermal treatment of ordinary glass which is afterwards sandwiched together with the PVB membranes to give the various grades and thickness of laminated glass panels.

In the following pictures show the different types of breakage:

- Tempered and laminated glass
- Ordinary tempered glass.

PVB films

The common characteristics amongst the two categories mentioned previously, are the use of the PVB interlayer films.

The film is of a tough yet pliable material known as polyvinyl butyral (PVB), placed in layers between the glass.

Rollers press the layers together to expel any air pockets. The glass is then heated to 70°C in a pressurized oil bath to permanently bond all layers together. Typically the thickness of each PVB film is 0,38 mm, additional layers of glass and PVB film increase the strength of the material. Applying two interlayers of film, the thickness becomes 0,78 mm, with three at 1,14 mm and so on.

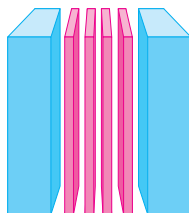
Apart from the different thickness of glass and



Toughened Glass
Thermally Toughened glass



Laminated Glass
TRI-PLEX glass with PVB membrane



■ Glass
■ PVB film

PVB, a wide range of colored PVB, for example grey, blue green or yellow is available, offering a particular esthetic to modern buildings.

According to European Normes (EN 12600) the minimum number of films required is two, however ALUMINCO recommends the use of glass with four PVB films for maximal security.

Even in the event of glass breakage, the two layers are held together by the PVB, allowing the sheet as a whole to bend and absorb the impact. This characteristic is especially important for places where safety or security are paramount.

Types of securit glasses

The most common type Triplex glass consists of the combination of Heat Strengthened Glass – PVB – Heat Strengthened Glass. The result of a Heat Strengthened glass panel will resist two times stronger than ordinary glass, where a unified static force has been applied (EN 12543), to one of the same thickness.

The second type of Triplex glass, and the one which meets the safety criteria is Thermally Toughened Glass, and its combination with PVB, known as toughened glass. Toughened Glass is manufactured by subjecting the finished glass size to a heating and cooling treatment which set up high compressive stresses at the surface, and balancing tensile stresses in the center of the glass, thus increasing its strength. The result is a glass that is 5 times stronger than ordinary glass.

Heat strengthened glass is produced by a similar process to toughened glass, however, the strength developed is about half that of toughened glass, and its breakage resembles that of annealed glass.

ALUMINCO strongly recommends the use of Heat Strengthened Glass with the installation of any type of Crystalline system.

Choice of colors

Alumino offers you with a choice of three standard colors for aluminium profiles and accessories of Crystalline systems: **A-001 Matt & A-432 Gloss anodizing** colors and metallic powder coating color **Anodic 420**.

By defining every architectural or professional desire, Crystalline systems are also offered in a wide range of quality colors **upon request:** gloss and matt finishes, metallic and anodizing colors, RAL, super durable powder coating colors and sublimation wood effects.



ALUMINCO Certifications

Customer satisfaction and quality assurance are both high on our list of properties. We strive, together with our suppliers, to guarantee permanent high quality.

- Quality Management System Certification (According to the international EN ISO 9001:2015)
- Environmental Management System Certification (According to the international EN ISO 14001:2004)
- Certificate of Compliance QUALICOAT (Certificate of Quality Painting Aluminium Profiles)
- Certificate of quality QUALANOD (Certificate of quality of anodized aluminum profiles)



Sustainability

Alumino makes every effort to reduce any negative environmental impacts resulting from production processes. This means that Alumino is passionately dedicated in sustainability, by being at the forefront the development of energy saving, recycling and waste management and sustainable products.

Informations générales

Aluminium

Il est difficile de trouver un autre matériel avec tels caractéristiques que aluminium. Léger mais robuste en même temps, résistant aux conditions climatiques les plus sévères, grâce à l'application d'une couche fine d'oxyde qui l' protège de corrosion. Cette couche devient encore plus forte par le procédé d' anodisation pour une protection contre la corrosion le plus efficace.

A ne pas oublier que l' aluminium est totalement recyclable et respectueux de l' environnement.

Ses caractéristiques uniques

- Léger & robuste
- Non toxique
- Propriété mécanique excellent
- Usinage facile
- Résistant à la corrosion
- Rapport prix – qualité excellent

Sauf autrement indique, la finition standard de toutes profils du système Crystalline sont disponible en aluminium anodisé et brosse en teinte d' inox.

Saviez vous que 75 pour cent de produits fabriqués en aluminium, sont toujours utilisables. Aluminium peut être recyclé pour plusieurs fois.

Ses caractéristiques mécaniques ne sont pas déformés comme dans des autres cas. L' énergie utilisée pour recycler l' aluminium est à 5% par rapport à sa production primaire.

Généralités sur les garde corps Crystalline

Le système Crystalline offre des solutions polyvalentes ou des différentes dimensions de verre, selon le type et l' Avis Technique, sont adaptés. Pour des raisons liées à la sécurité des personnes, ces éléments verriers doivent conformer aux Normes Européennes (EN12543 & EN12600) qui spécifie le traitement thermique par un processus de trempe (refroidissement rapide).

Plus précisément, la gamme de systèmes Crystalline s' installe avec du verre trempé et feuilleté ou lamine de son nom technique, constituée d' au moins deux feuilletés de verre séparés par des films intercalaires (PVB).

C' est grâce à ces propriétés mécaniques et résistance au choc, que même au cas de blessure, le verre ne présente pas de risque lorsque les pièces cassées sont retenues par le film PVB.

La fabrication de verres trempés et feuilletés est faite par un traitement thermique qui rend le verre ces qualités de sécurité.

Les photos ci-dessous montrent les différents types de brisure :

- a) Verre trempé
- b) Verre trempé et feuilleté

PVB films

Le membrane PVB est un intercalaire qui retient les fragments de verre en cas de casse due à des heurts accidentels, le vitrage reste en place, si encadré et il n' y a pas de chute de morceaux dangereux.

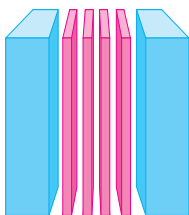
L' épaisseur d' une membrane PVB est de 0,38 mm, en pratique on utilise plusieurs membranes de cette épaisseur afin d' accroître la durabilité et l' élasticité du vitrage feuilleté. En ajoutant deux membranes l' épaisseur devient 0,76 mm en ajoutant une troisième cela devient 1,14 mm etc... le PVB est disponible dans une gamme de couleurs allant du transparent, le gris au jaune et beaucoup d' autres combinaisons qui permettent de réaliser une balustrade en harmonie avec l' esthétique de la résidence.



Toughened Glass
Thermally Toughened glass



Laminated Glass
TRIPLEX glass with PVB membrane



■ Verre
■ PVB film

Pour être en règle avec les European Standards (EN 12600), il faut au moins utiliser 2 membranes PVB entre deux parties de vitrage. Pour utiliser notre système Crystalline, ALUMINCO recommande de toujours regarder la situation par situation et de ne jamais hésiter à mettre un PVB en trop pour accroître la sécurité.

Typologie de verre trempé et feuilleté

Le verre, matériau de construction, est un moyen d' ajouter de style et d' élégance, mais ce qui est le plus important c' est la sécurité des personnes.

Dernièrement, le verre est utilisé avec les garde corps vitres, sont de verre trempé et feuilleté.

Le verre feuilleté est un assemblage de feuilles de verres et d' intercalaires de nature plastique. Les intercalaires peuvent se présenter sous forme de film, généralement (Poly-Vinyle-Butyral).

Ses caractéristiques, ils conservent les propriétés lumineuses et énergétiques, des produits de base. Une fois trempés, ils ne peuvent plus être découpés ni façonnés.

Le verre feuilleté pour bâtiment fait l' objet de la norme EN ISO 12543.

Les couleurs

Aluminco vous offre un choix de trois couleurs standard pour les profilés en aluminium et accessoires de systèmes Crystalline: brillant et mat couleurs d' anodisation et de la couleur métallique en poudre et couleur anodique 420.

En définissant chaque désir architectural ou professionnel, les systèmes Crystalline sont également proposés dans une large gamme de couleurs de qualité sur demande: brillant et mat finitions, métalliques et anodisation couleurs RAL, couleurs en poudre ultra durables et les effets de bois de sublimation.



ANODIZING
A-001 Matt & A-432 Gloss



METALLIC
Anodic 420

ALUMINCO Certifications

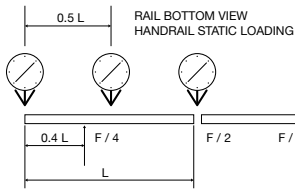
La satisfaction du client et l' assurance qualité sont au sommet de notre liste de propriétés. Nous nous efforçons, en collaboration avec nos fournisseurs, pour garantir une haute qualité permanente.

- Certification Système de Management Qualité (Selon l' international EN ISO 9001: 2015)
- Environmental Management System Certification (Selon l' international EN ISO 14001: 2004)
- Certificat de Conformité QUALICOAT (Certificat de qualité Peinture Profils Aluminium)
- Certificat de qualité QUALANOD (Certificat de qualité des profils en aluminium anodisé)

Durabilité

Aluminco fait tous les efforts pour réduire les impacts environnementaux négatifs résultant de la production. Cela signifie que Aluminco est passionné par le développement durable, en étant à l' avant-garde dans le développement de l' économie d' énergie, recyclage et gestion des déchets et des produits durables.

Description of Rail Tests

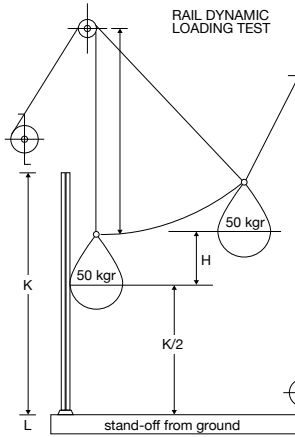


quarters of the way along the handrail, whilst deformation is measured halfway along the overall Length/Longueur.

The object of the test is to verify the behaviour of the balustrade under:

Static Loads

Horizontal outwardly directed static service and safety loads (linearly distributed and point horizontal loads). The load is applied at the central point of handrail, and then at two symmetrical points, a quarter and three



Dynamic Loads

It is the impact test using a suspended soft body of 50 kg, comprising an Aluminium solid tube, along with two tyres, or another bag full of small Aluminium spheres, always totalling Weight/Poids of 50 kg as soft body load. Impact points on glass panel are shown on following photos.

Drop Height (H), for soft body mass 50 kg = 0,5 KN :

300 mm = 0,30 m -> Housing / Residential Category

450 mm = 0,45 m -> Offices / Commercial Category

700 mm = 0,70 m -> Public / Mall Category

900 mm = 0,90 m -> Public / Mall Category

Max. Permissible Horizontal Deflection = $K/300$,

Max. Rail Height = $K = 1200$ mm

Using, Max. Permissible Horizontal Deflection = 4 mm = 0,004 m:

During impact test, no falling glass fragments may become detached that could cause personal injury, and also the filling element of the rail must not separate from the structure of the balustrade, and the glass must continue to exercise its function under the application of a punctual load of 200 N=20 kg for 30 seconds. The impact body must not pass through the balustrade upon impact.



Category for Impact Test Certification	Drop Height (m)	Impact Velocity (m/sec) SQRT (2gH)	Impact Load (kg) caused by soft body 50 kg = 0.5 KN onto the Glass Panel	Impact Time (milliseconds)	Impact Dynamic Energy (Joules=Nm) 0.5 KN x Drop Height = mgH
Housing, Residential	0.30	2.43	3690	1.6	150
Office, Commercial	0.45	3.00	5625	1.3	225
Public, Mall	0.70	3.70	8556	1.0	350
Public, Mall	0.90	4.20	11025	0.96	450

Rail Test Categories: Private use - 0.5 KN (0.5 KN/m): A1, A2, B1

Relatively light constructions can be used for applications in homes. The glass balustrade must be able to withstand 0,5 KN per linear meter.

Commercial use - 1 KN (1 KN/m): A2, B1, B2, C1

Glass balustrades in offices require the use of heavier materials. The glass must be thicker and the profiles must obviously be adapted accordingly. The glass balustrade must be able to withstand 1 KN per linear meter.

Public use - Stadiums - 1.5 KN-3 KN (3 KN/m): C2, C3, D, E

Public spaces and stadiums, where lot of people may assemble in small space, require robust balustrades. Glass thickness and heavy profiles provide safety

Type of occupancy	Description	Example of use
A1	All areas within or serving exclusively a single occupancy dwelling including stairs, landing etc., but excluding external balconies and edges of trafficable roofs where the level is greater than three (3) meters above the adjoining ground level.	Internal or external balconies where the level is more than one (1) meter, but less than three (3) meters, above the adjoining ground level for single occupancy dwelling up to 2 storeys.
A2	All other areas of residential buildings except those defined in A1.	External balconies of multi-storey buildings where the level of the balcony is more than three (3) meters above the adjoining ground level.
B1	Office, work and storage areas not covered elsewhere, with light, non-public pedestrian traffic routes, including light access stairs, gangways and areas used for maintenance purposes.	A single office at mezzanine level of a small showroom, maintenance areas and the like.
C1	Areas where people may congregate without obstacles for moving people, but not susceptible to overcrowding, including fire escape portions of residential buildings.	Stairs, landings, corridors, ramps, external balconies, edges of roofs, footways and pavements and the like within building cartilage adjacent to basement or sunken areas.
C2	Areas where people may congregate with table and fixed seating but not susceptible to overcrowding, including fire escape portions of all buildings other than residential.	Restaurants, bars and the like.
C3, C4	Areas where people may congregate and are susceptible to overcrowding.	Theatres, stadiums, cinemas, discotheques, auditoriums, assemble areas and bars and the like.
D	All retail areas excluding areas susceptible to overcrowding.	Public areas of banks shopping centers and the like.
E	Vehicular and traffic areas	Pedestrian areas in car parks including stairs, landings and the like except areas where there is a danger of dynamic vehicle impact.

Table 2.1 Type of occupancy

Type of occupancy (*1)	Uniformly distributed load (KN/m) (*2), (*3)	Point load applied to top rail (kN) (*2), (*3), (*4)	Uniformly distributed load applied to the infill (kPa) (*2)	Point load applied to part of the infill (KN) (*2), (*4)
A1, B1	.4	.6	.5	.25
A2, B2, C1	.75		1	.5
C2, D, E	1.5		1.5	1.5
C3, C4	3		1.5	1.5

Table 2.2 Design live loads

(*1) The type of occupancy for building is tabulated in the table 2.1

(*2) The applied load may act inward, outward or downward

(*3) The applied loads act on the hand rail

(*4) Point and uniform loads are not concurrent

under heavy loads. The glass Balustrade must be able to withstand up to 3 KN per linear meter.

Institutes for Rail Load Tests / Rail Test Norms

Instituto Giordano S.P.A- Italy:

Test Norm NFP01-013: 1988 - Static Loading of Rails with Rail top

Test Norm NFP08-301: 1991 - Dynamic Loading of Glass Rails for Housing Function

Test Norm UNI-10807: 1999 - Dynamic Loading of Glass Rails for Office Function

IFT Rosenheim- Germany:

Test Norm TRAV: 2003-01 - Dynamic Loading of Glass Rails

Test Norm NFP01-013: 1988 - Static Loading of Glass Rails

BBRI (CAR INSTITUTE BELGIUM):

Test Norm NBN-B03-004: 2010 - Static Loading & Dynamic Loading of Balustrades of Buildings

Test Norm NBN / DTD-B03-004: 2015 - Static Loading & Dynamic Loading of Balustrades of Buildings

FTL (FLORIDA):

Test Norm FBC section 1607.7.1.1-1607.7.1.2: Static Loading - Concentrated Load Balustrade Test

Test Norm ANSI Z971: Dynamic Loading of Balustrades of Buildings - Drop Test

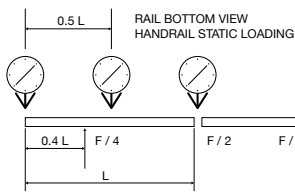
Test Norm ASTM- E1996: Dynamic Missile Impact Test - Glass Balustrades

INTERTEK (AMERICA - PENNSYLVANIA):

Structural tests according to Section 1607.8.1 & Section 2407.1.1 of Chapter 17 (Structural Tests and Special Inspections) of IBC 2015 International Building Code®.

Static Loading - Concentrated Load Balustrade Test

Description de test du garde-corps

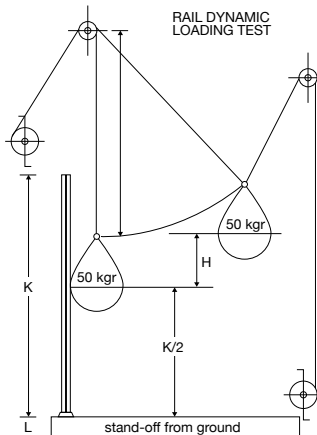


Le but du test est de vérifier le comportement de la balustrade sous:

Les charges statiques

La fonction de sécurité d'essai pour la main courante. Mettre en œuvre la charge horizontale dirigée vers l'extérieur (linéairement répartie et les charges horizontales punctual). La charge est appliquée au point central de la main courante, puis en deux

points symétriques, un quart et trois quarts du chemin le long de la main courante, tandis que la déformation est mesurée à mi-chemin le long de la longueur totale.



Charges Dynamiques

Il est le test d'impact en utilisant un corps mou suspendu de 50 Kg, comprenant un tube solide en aluminium, ainsi que deux pneus, ou un autre sac plein de petites bulles d'aluminium, toujours un total de poids de 50 Kg aussi doux de charge du corps. les points d'impact sur le panneau de verre sont présentés sur les photos suivantes.

Hauteur de chute (H), pour la masse de corps mou 50 Kg = 0.5 KN :
 300 mm = 0.30 m -> Logement / Résidentiel
 Catégorie
 450 mm = 0.45 m -> Bureaux / Centre
 Commerciale
 700 mm = 0.70 m -> Publique / Mall
 Catégorie
 900 mm = 0.90 m -> Publique / Mall
 Catégorie

Max. Adm Déviation Horizontale = K/300,
Max. garde- corps Hauteur = K = 1200 mm

Utilisation, Max. admissible déviation horizontale = 4 mm = 0.004 m:

Au cours du test d'impact, pas de fragments

de verre qui tombent peuvent se détacher qui pourrait causer des blessures, ainsi que l'élément de remplissage du rail ne doit pas se séparer de la structure de la balustrade, et le verre doit continuer à exercer sa fonction dans l'application d'une ponctuelle charge de 200 N = 20 Kg pendant 30 secondes. Le corps d'impact ne doit pas passer à travers la balustrade lors de l'impact.



Catégorie de certification Impact Test Tomber	Hauteur (m)	Impact (m/sec) SQRT (2gH)	l'impact de charge (Kg) a provoqué 50 Kg = 0.5 KN par corps mou	Impact de temps (milliseconds)	Impact dynamique Énergie (Joules=Nm) 0.5 KN x Hauteur de chute = mgH
Logement, Résidentiel	0.30	2.43	3690	1.6	150
Bureau, Commercial	0.45	3.00	5625	1.3	225
Public, Centre commercial	0.70	3.70	8556	1.0	350
Public, Centre commercial	0.90	4.20	11025	0.96	450

Essai du produit fini Catégories: Logement / Usage Résidentiel - 0.5 KN (0.5 KN/m): A1, A2, B1

Relativement constructions légères peuvent être utilisées pour des applications dans les maisons. La balustrade en verre doit être capable de résister à 0.5 KN par mètre linéaire.

Fonction de bureau - 1 KN (1 KN / m): A2, B1, B2, C1

Balustrades en verre dans les bureaux nécessitent l'utilisation de matériaux plus robuste. Le verre doit être plus épais et les profils doit évidemment être adaptée en conséquence. La balustrade en verre doit être capable de résister à une 1 KN par mètre linéaire.

Fonction publique - Stades - 1.5 KN-3 ON (3 KN / m): C2, C3, D, E

Des espaces publiques et des stades, où beaucoup de gens peuvent se réunir dans un petit espace, nécessitent des balustrades robustes. L'épaisseur du verre et des profils lourds offrent une sécurité sous de lourdes charges. La balustrade en verre doit être capable de résister jusqu'à 3 KN par mètre linéaire.

Type d'occupation	Description	Lieu d' utilisation
A1	Toutes les régions à l'intérieur, ou de servir exclusivement un logement en occupation simple, y compris les escaliers, l'atterrissage, etc., mais à l'exclusion des balcons et les bords des toits circulables externes dont le niveau est supérieur à trois (3) mètres au-dessus du niveau du sol attenant.	Balcons internes ou externes dont le niveau est plus d'un (1) mètre, mais moins de trois (3) mètres, au-dessus du niveau du sol attenant pour une occupation simple habitation jusqu'à 2 étages.
A2	Toutes les autres zones de bâtiments résidentiels, sauf ceux qui sont définis dans A1.	balcons extérieurs de bâtiments à plusieurs étages où le niveau du balcon est plus de trois (3) mètres au-dessus du niveau du sol adjacent.
B1	Bureau, le travail et les zones de stockage non couverts ailleurs, avec des voies de circulation de lumière, piéton non-public, y compris l'accès à la lumière des escaliers, des passerelles et des zones utilisées à des fins de maintenance.	Un bureau unique au niveau de la mezzanine d'une petite salle d'exposition, les zones d'entretien et autres.
C1	Les zones où les gens peuvent se rassembler sans obstacles pour le déplacement des personnes, mais pas sensibles à la surpopulation, y compris des parties d'évacuation d'incendie de bâtiments résidentiels.	Les escaliers, les débarquements, les couloirs, les rampes, les balcons extérieurs, les bords des toits, des trottoirs et des chaussées et autres dans le bâtiment du cartilage adjacent au sous-sol ou les zones en contrebas.
C2	Les zones où les gens se rassemblent avec table et sièges fixes, mais pas sensibles à la surpopulation, y compris des parties de sortie de secours de tous les bâtiments autres que résidentiels. Restaurants, bars et autres.	Restaurants, bars et autres.
C3, C4	les zones où les gens peuvent se rassembler et sont sensibles à la surpopulation.	Theatres, stadiums, cinemas, discotheques, auditoriums, assemble areas and bars and the like.
D	Toutes les zones de détail hors des zones sensibles à la surpopulation.	Les parties communes de banques centres commerciaux et autres.
E	Éspaces publics	Les zones avec véhicules et les zones piétonnes dans les parcs de stationnement, y compris les escaliers, les paliers, etc., sauf les zones où il y a un risque d'impact dynamique du véhicule.

Table 2.1 Type d'occupation

Type d'occupation (*1)	Charge répartie uniformément appliquée au remplissage (KN/m) (*2), (*3)	Charge point appliquée à une partie du remplissage (KN) (*2), (*3), (*4)	Charge répartie uniformément appliquée au remplissage (KPa) (*2)	Point load applied to part of the infill (KN) (*2), (*4)
A1, B1	.4	.6	.5	.25
A2, B2, C1	.75		1	.5
C2, D, E	1.5		1.5	1.5
C3, C4	3		1.5	1.5

Table 2.2 Design live loads

(*1) Le type d'occupation pour la construction est sous forme de tableau dans le tableau 2.1

(*2) Charge point appliquée à une partie du remplissage (KN)

(*3) Charge point appliquée à main courante (KN)

(*4) Charge répartie uniformément appliquée au remplissage (KPa)

Institutes for Rail Load Tests / Rail Test Norms

Instituto Giordano S.P.A- Italy:

Test de la norme NFP01-013 normes: 1988 - statique chargement de la main courante Test Norm NFP08-301: 1991 - Test de la Normfonction de logement

Test de la norme UNI-10807: 1999 - Chargement dynamique de verre du garde-corps pour la fonction de bureau

IFT Rosenheim- Germany:

Test Norm TRAV: 2003-01 - Chargement dynamique de verre du garde-corps Test de la norme NFP01-013 normes: 1988 - statique chargement de la main courante

BBRI (INSTITUT BELGIQUE):

Test Norm NBN-B03-004: 2010 - Chargement statique et dynamique Chargement de balustrades de bâtiments

Test Norm NBN / DTD-B03-004: 2015 - Chargement statique et dynamique Chargement de balustrades de bâtiments

FTL (FLORIDA):

Test Norm FBC section 1607.7.1.1-1607.7.1.2: Chargement statique - Charge concentrée Balustrade test

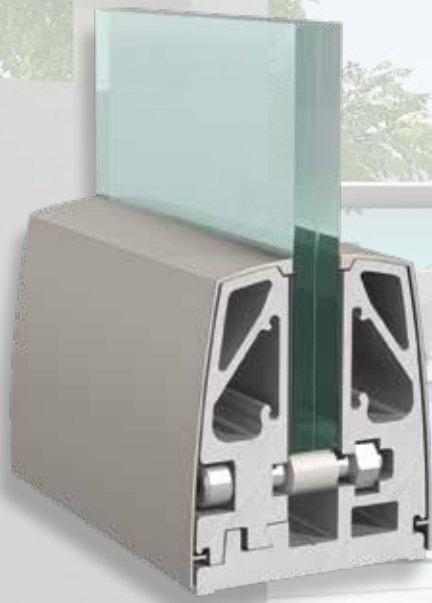
Test Norm ANSI Z97.1: alimentation hors chargement Valystrades offs Vyildings - Méthodes d'essai

Test Norm ASTM - E1996: Force de Missile Dynamique Impact test - Verre balustrades

INTERTEK (AMERICA - PENNSYLVANIA):

Structural tests according to Section 1607.8.1 & Section 2407.1.1 of Chapter 17 (Structural Tests and Special Inspections) of IBC 2015 International Building Code®.

Static Loading - Concentrated Load Balustrade Test



A·line



On-floor glass supporting system

The supporting brackets, in hard aluminium alloy, are installed on fully finished floor, ceramic tile, marble or on a balcony parapet.

Glass panels of 88.4 thickness / 17.52mm and maximum height of 1200mm, are anchored with bolts which can easily be removed in case of need without any damage to the floor or system itself. The brackets are covered by the oval shape fascia profiles in anodized finish as well as many other shades of powder coating.

It is an ideal solution for balconies, stairs and building enclosures for high architectural standards, offering an impressive and functional result with no view limit.

Highlights

- Elegant line
- Maximum security
- Uninterrupted view
- Free of maintenance
- Patented system
- Compliance with UNI EN 10807 & NFP01-013
- Optional use of top handrail
- Wide choice of colors: RAL, Sable & anodized



Système de pose sur dalle

Design et sécurité se complètent à la perfection dans la sélection CRYSTAL LINE

Type A peut être utilisé dans des espaces publics ou privés tant à l'intérieur qu'à l'extérieur.

Le montage se fait avec des verres de 88.4, hauteur maximale à 1200 mm.

Un système modulaire, qui convient à tous les espaces et qui offre du style et sécurité.

Les points forts

- Élégant
- Réponds aux critères de sécurité
- Vue illimitée
- Pas d'entretien
- Système breveté
- Selon Avis Technique UNI EN 10807 & NF P01-013
- Option de main courante
- Choix de coloris – RAL, Sable, anodize & teint de bois

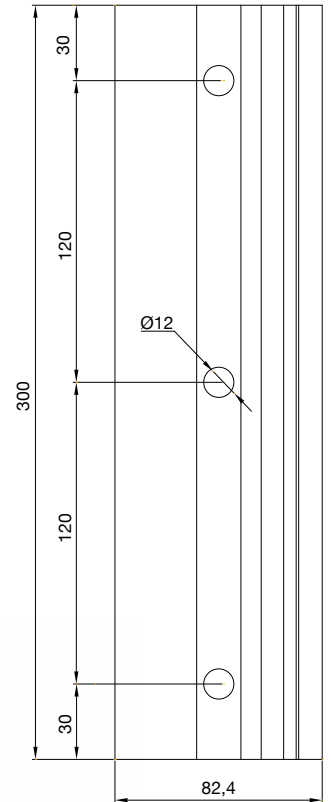
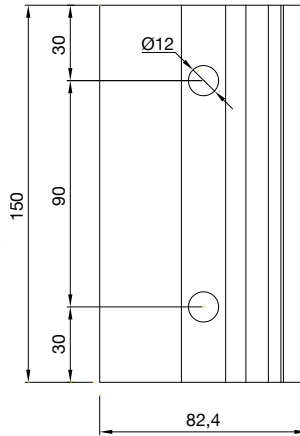
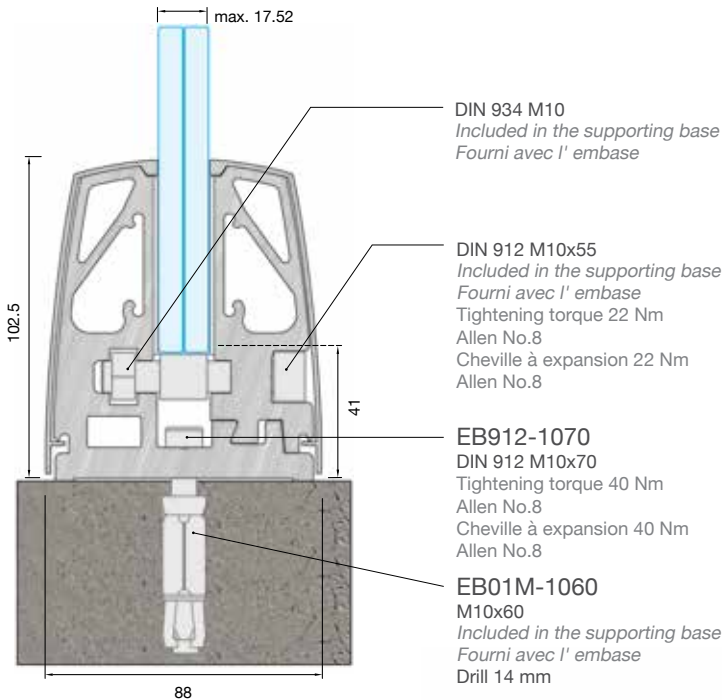
A•line

On-floor glass supporting system

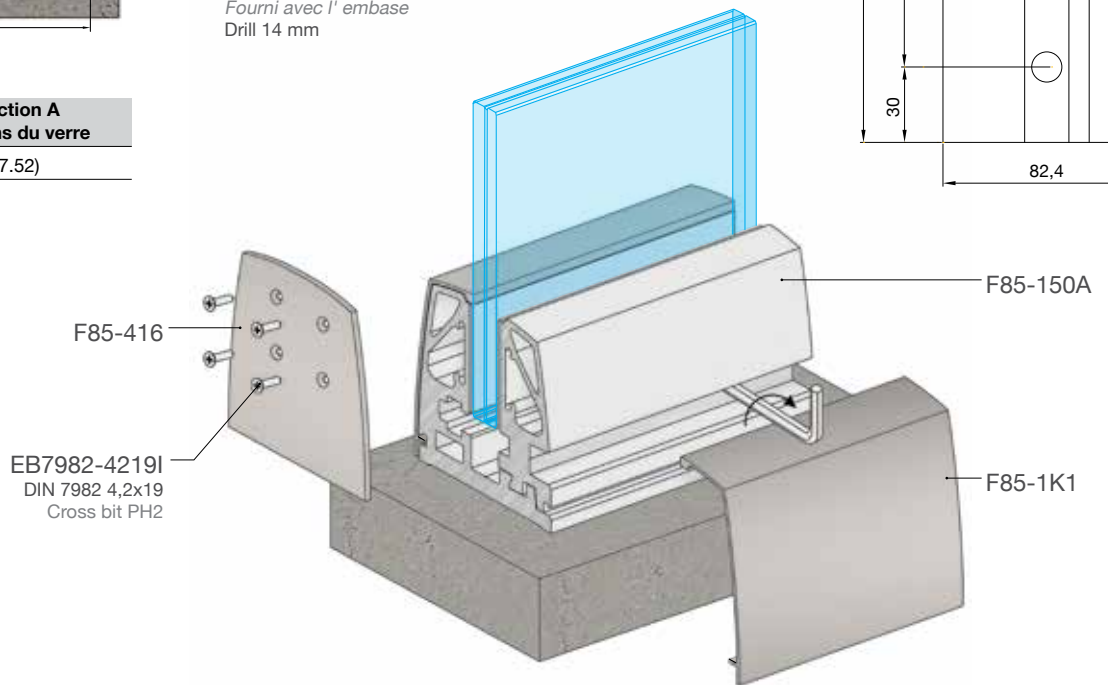
Shoe base installation / Installation des embases

Fixing point / Entraxe de vis

F85-150A | F85-300A

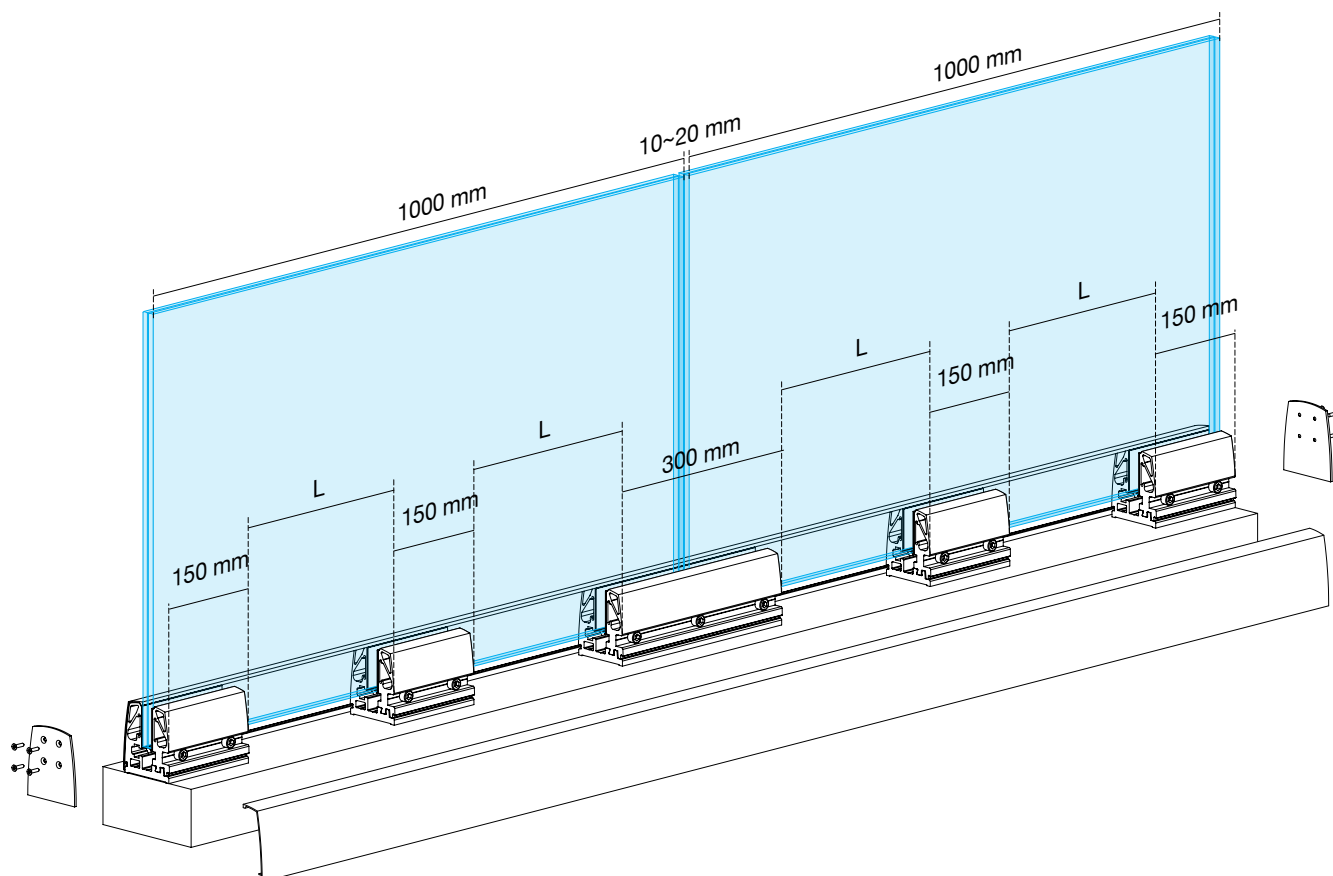


Glass section A
Specifications du verre
8.8.4 (17.52)



Balustrade Type Type de système	Tempered Glass Panel Type de verre	Height of balustrade Hauteur du balustrade	Static loading category (horizontal loads) Resistance à la charge statique	Dynamic Loading Category (Impact Test) Resistance à la charge dynamique
Crystalline-A	8.8.4	1200 mm	Private & commercial use Usage résidentiel & commercial	Private & commercial use Usage résidentiel & commercial

Installation of supporting profile / Installation du profil de sol

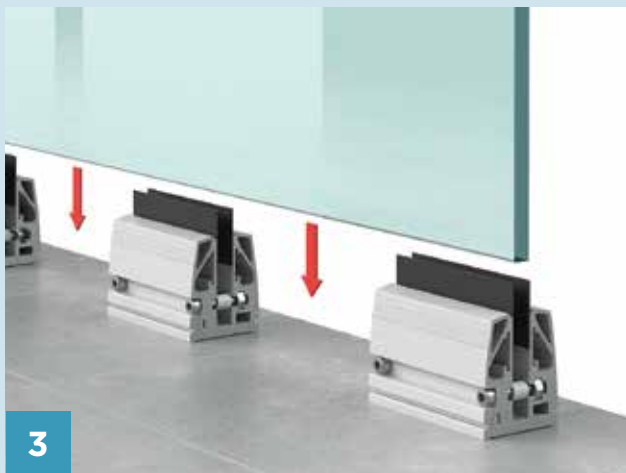


8.8.4 (17.52)				
Recommended number of bases / m Nombre des embases recommandé	Glass height Hauteur du verre	Handrail Main courrante	No. of bases/m No. des embases/m	L
	600 mm	-	-	3
F85-203		-	2	700 mm
F85-204		-	2	700 mm
1000 mm	-	-	3	275 mm
	F85-203	-	3	275 mm
	F85-204	-	3	275 mm
1100 mm	-	-	4	133 mm
	F85-203	-	3	275 mm
	F85-204	-	3	275 mm
1200 mm	-	-	5	62,5 mm
	F85-203	-	4	133 mm
	F85-204	-	4	133 mm

A•line

On-floor glass supporting system

Installation step by step / Assemblage base de support



Fixing point / Entraxe de vis

The supporting bases include tightening screws, pressure gaskets and fixing bolts/anchors.
Les chevilles à expansions joints, boulons et ancrages sont tous inclus avec les embases.

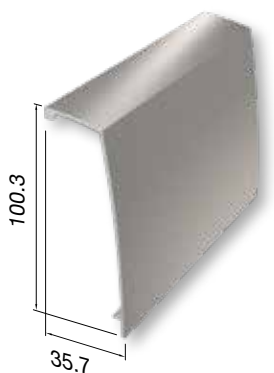


Glass base / Embase de support	
Code	F85-150A
Pack./Condit.	12 pcs



Glass base / Base de support	
Code	F85-300A
Pack./Condit.	6 pcs

Profiles & accessories / Profiles & accessoires



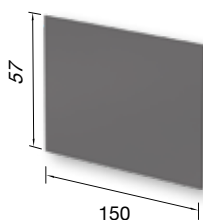
Base cover / Cache frontal	
Code	F85-1K1
Weight/Poids	550gr/m
Length/Longueur	6 m



End cap / Embout	
Code	F85-416
Pack./Condit.	20 pcs

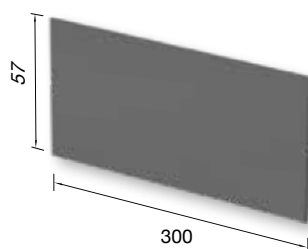


End cap (perforated) / Embout ouvert	
Code	F85-416L (8.8.4)
Pack./Condit.	20 pcs



PVC sheet 1.5 mm/Plaque en PVC 1.5 mm	
Code	F85-E009
Color/Couleur	Black/Noir
Length/Longueur	150 mm

*Included in the glass support base F85-150A, also available separately
Fourni avec les embases F85-150A ainsi qu' au detail*



PVC sheet 1.5 mm/Plaque en PVC 1.5 mm	
Code	F85-E010
Color/Couleur	Black/Noir
Length/Longueur	300 mm

*Included in the glass support base F85-300A, also available separately
Fourni avec les embases F85-300A ainsi qu' au detail*



On floor support system with 10 mm glass

Light in Weight/Poids but safe for residential and light-Weight/Poids commercial use, this wedge system is designed to be installed on a finished floor, with a laminated glass of 55.2 and thickness of 10.76 mm.

Suitable for the interior as well as exterior balconies, terraces and swimming pools.

Easy and quick to align, the glass panels are secured with gaskets and bolts, supplied by the manufacturer.

Maximum height at 100 cm is recommended and use of top handrail is essential.

Highlights

The perfect choice for private or light commercial use, with impressive simplicity and elegance.

- Attractive slim lines
- Affordable quality for 10 mm glass
- No maintenance required
- Patented system
- Compliance by TRAV specifications
- Quick installation
- Perfect for "French" balconies



The perfect solution for attractive and affordable slim lines!

Pose sur dalle avec de verre de 10 mm

Pour gagner du temps et de l'argent, choisissez le type A10!

Le système A10, est livré avec l'ensemble des composants nécessaires à sa mise en œuvre, profiles en aluminium et joints. La solution économique pour des espaces publics et résidentiels.

Le verre est fixe par serrage, aucune perçage de verre n'est requis.

Les points forts

- Élégant et transparent
- Economique
- Système breveté
- Facile et rapide à monter.
- Spécifications selon TRAV (allemands)
- Idéal pour "Julliete" balcons.





B
↓ ↓ ↓

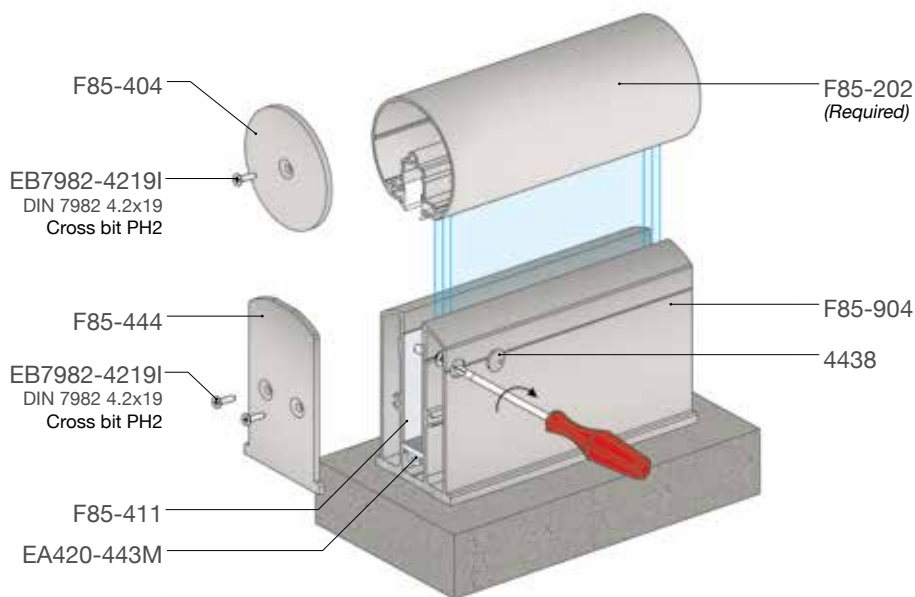
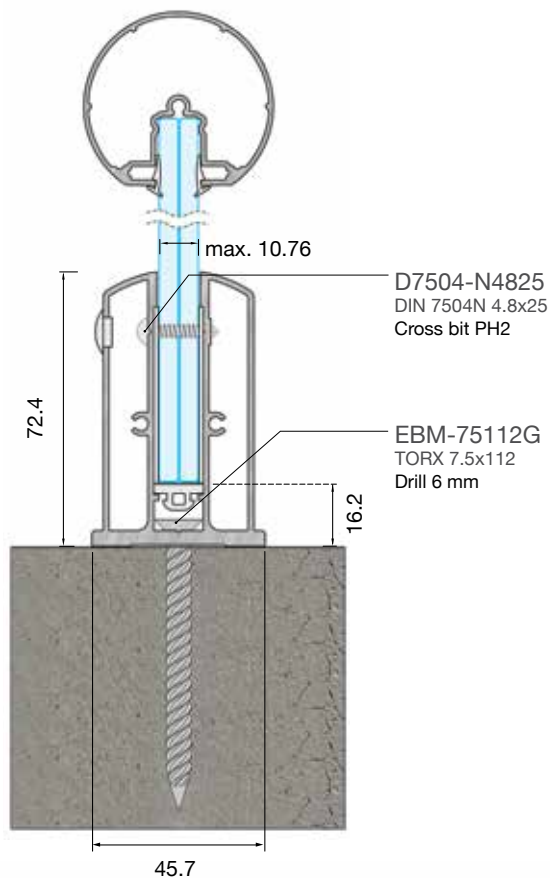
BLONDE

OKKER

A10•line

On floor support system with 10 mm glass

Glass section A10
Specifications du verre
 5.5.2 (10.76)

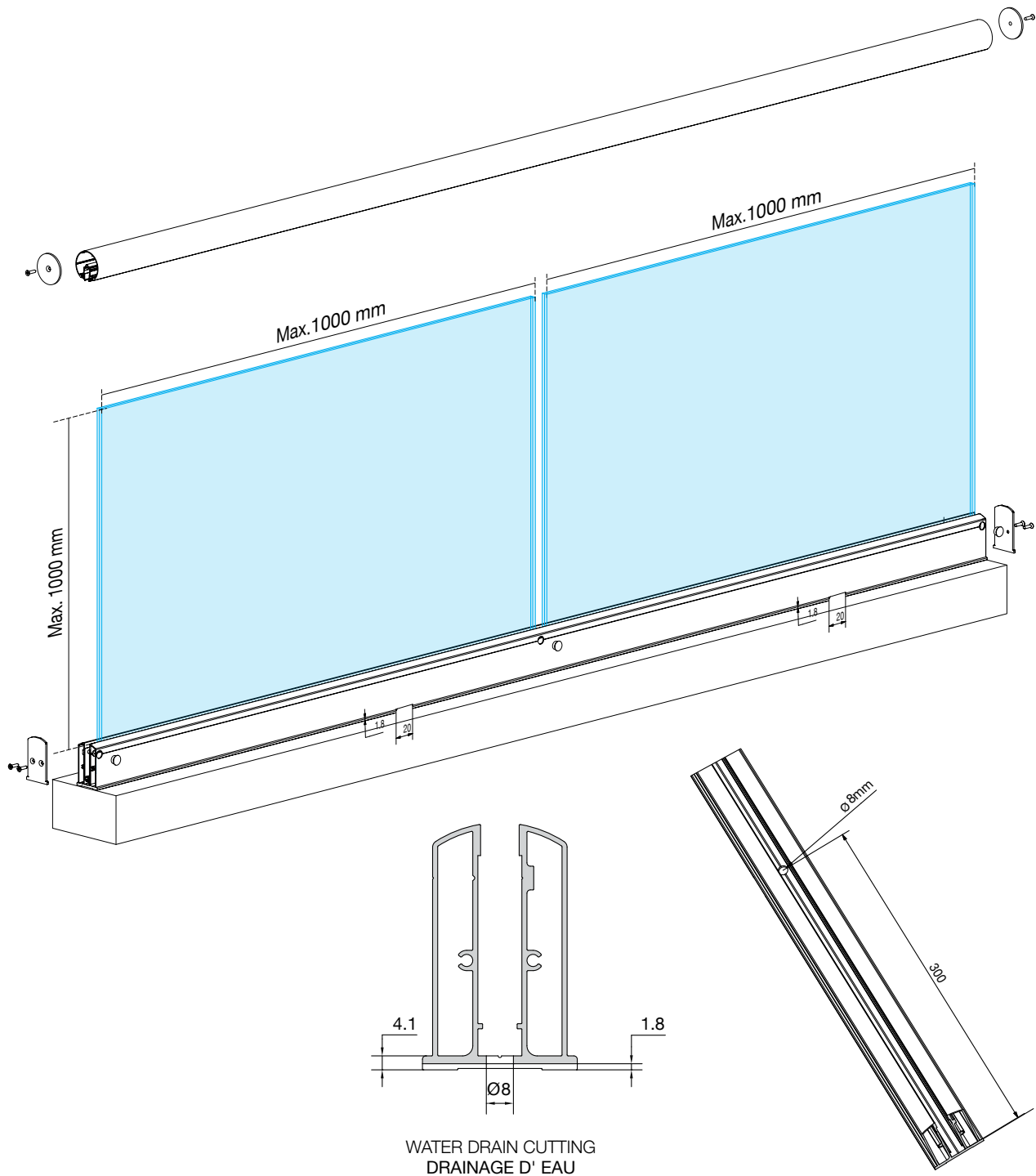


Balustrade Type Type de système	Tempered Glass Panel Type de verre	Height of balustrade Hauteur du balustrade	Static loading category (horizontal loads) Resistance à la charge statique	Dynamic Loading Category (Impact Test) Resistance à la charge dynamique
Crystalline-A10	5.5.2	1000 mm (Only with use of rail top) 1000 mm (Main courante obligatoire)	Residential use Usage résidentiel	Residential use Usage résidentiel

A10•line

Pose sur dalle avec de verre de 10 mm

Installation of supporting profile / Installation du profil de sol



ATTENTION!

System specifications

- a) maximum glass high 1000 mm
- b) to be installed with hand rail F85-202
- c) indispensable use of bolts per meter

ATTENTION!

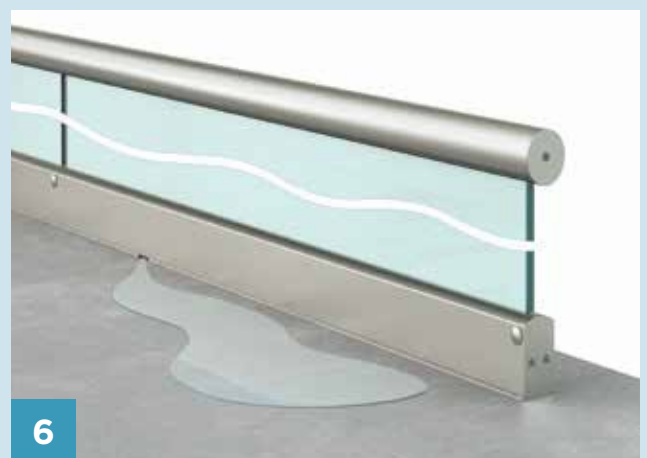
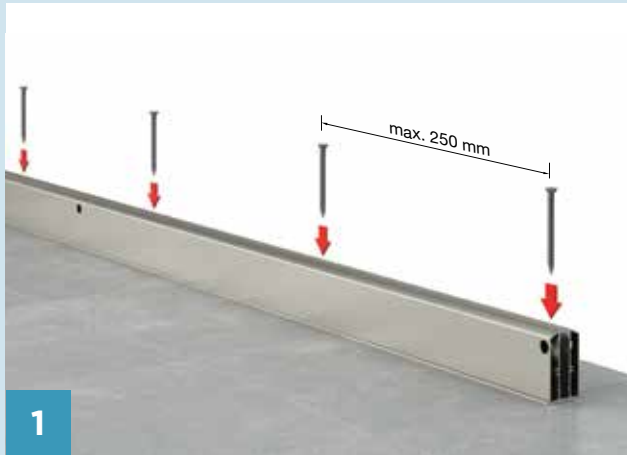
Spécification du Système

- a) hauteur de verre maximale de 1000 mm
- b) utilisation obligatoire de main courante F85-202
- c) installation sur dalle avec 4 vis par mètre

A10•line

On floor support system with 10 mm glass

Installation step by step / Assemblage base de support

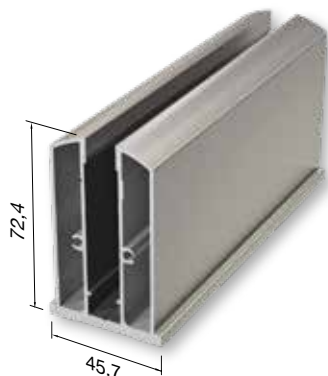


A10•line

Pose sur dalle avec de verre de 10 mm

Glass supporting base / Embases

The supporting bases include fixing bolts/anchors.
Profil de sol fourni avec les boulons et ancrage.



Base profile/Profil d'embase sur sol

Code	F85-904
Weight/Poids	1796 gr/m
Length/Longueur	6 m

Available in 6 meter pre-cut and pierced, all fixing bolts/anchors are included
Disponible en bars de 6 m de longueur, avec tous les vis

Profiles & accessories / Profiles & accessoires



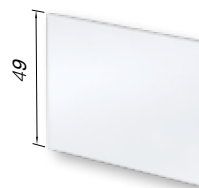
Round handrail Ø50/Courante Ø50	
Code	F85-202
Weight/Poids	721 gr/m
Length/Longueur	6 m



End cap / Embout	
Code	F85-444
Pack./Condit.	20 pcs

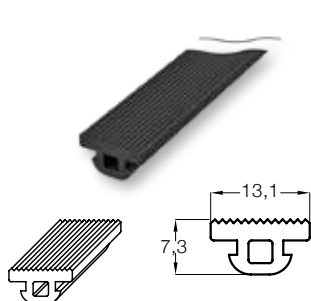


Hole covering cap / Bouchon	
Code	4438
Συσκευασία / Pack	50 pcs (blister) 24 pcs (blister)

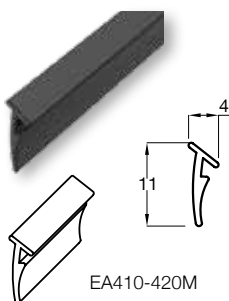


PVC sheet 1 mm/Plaque en PVC 1 mm	
Code	F85-411
Color/Couleur	White/Blanc
Length/Longueur	2 m

Gaskets / Joints



Base gasket/Joint du profil de sol	
Code	EA420-443M
Length/Longueur	150 m



Handrail gasket Joint de main courante	
Code	EA410-420M
Length/Longueur	350 m



C2·line



On-Floor System

Frame-less glass offers a seamless and stylish appearance which is unmatched by any other balustrade system.

For a sleek and unobtrusive look, Type C2 is the indisputable solution. The square line supporting bases are fixed on the floor and covered by fascia profiles, easy to remove in case of glass replacement.

Glass panels specified for this system are: 88.4, 1010.4, thickness of 17.52 mm & 21.52 mm. Maximum height at 1200 mm.

Highlights

- Frameless.
- Modern and elegant design.
- Complies to the strictest safety regulations (test results available).
- Easy alignment from internal side of balcony.
- Quick installation with a floor guide.
- Possibility of embedding the system.
- Optional use of handrail.

Top
transparency.
Maximum light
and space!

Profitez
pleinement
de la vue et la
lumière!



Pose sur dalle

Conçue pour répondre aux critères de sécurités les plus strictes, résidentiel ou commercial tel que halles, salles de loisir et centre commerciaux, hôtels ou même des appartements.

Le changement facile du verre, au cas de brissure, est son atout fort.

Les points forts

- Design épurée
- Certifié par IFT Rosenheim
- Alignement aisé
- Option d'encastrement
- Option de main courante
- Fournis déjà pré-percé
- Mise en œuvre simplifiée

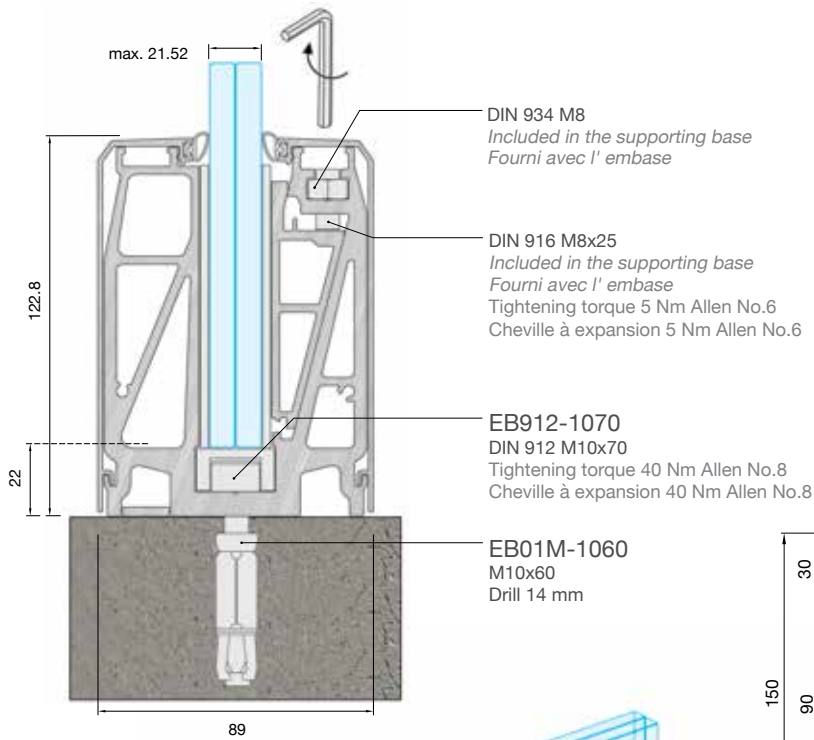
C2·line





C2•line

On-Floor System



DIN 934 M8
Included in the supporting base
Fourni avec l' embase

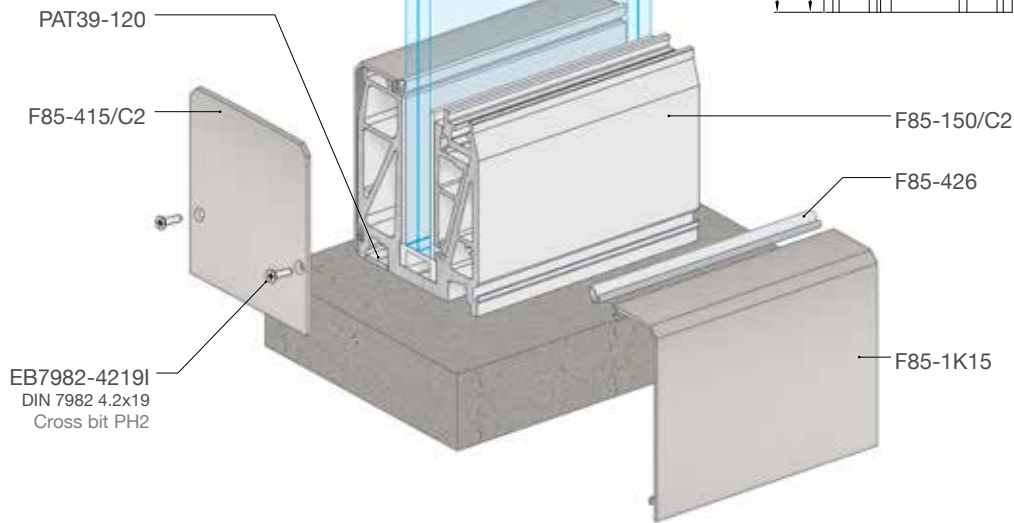
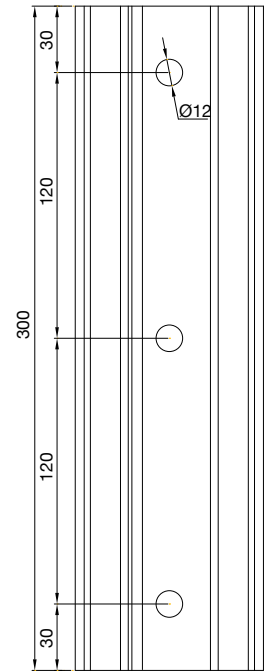
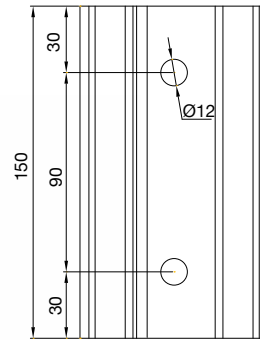
DIN 916 M8x25
Included in the supporting base
Fourni avec l' embase
Tightening torque 5 Nm Allen No.6
Cheville à expansion 5 Nm Allen No.6

EB912-1070
DIN 912 M10x70
Tightening torque 40 Nm Allen No.8
Cheville à expansion 40 Nm Allen No.8

EB01M-1060
M10x60
Drill 14 mm

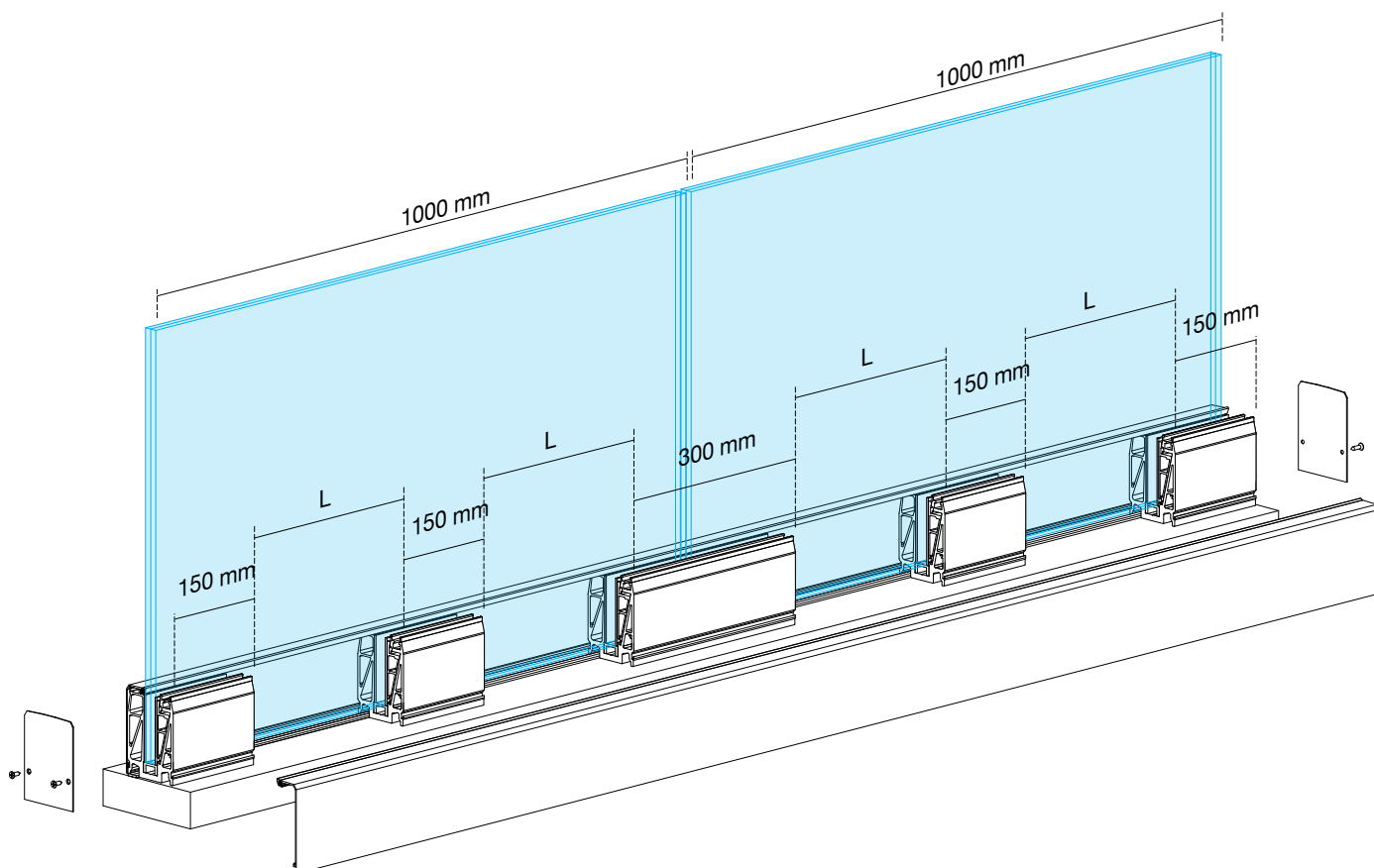
Glass section C2 Specifications du verre	
8.8.4 (17.52)	
10.10.4 (21.52)	

Fixing point Entraxe de vis	
F85-150C2/16 F85-150C2/20	F85-300C2/16 F85-300C2/20



Balustrade Type Type de système	Tempered Glass Panel Type de verre	Height of balustrade Hauteur du balustrade	Static loading category (horizontal loads) Resistance à la charge statique	Dynamic Loading Category (Impact Test) Resistance à la charge dynamique
Crystalline-C2	8.8.4	1000 mm	Private & commercial use Usage résidentiel & commercial	Private & commercial use Usage résidentiel & commercial
Crystalline-C2	10.10.4	1100 mm		Private & commercial use Usage résidentiel & commercial
Crystalline-C2	8.8.4 (Du Pont Sentry)	1100 mm	Private & commercial use Usage résidentiel & commercial	Private & commercial use, Dynamic Missile Impact Test Weight 4.5 Kg Usage résidentiel & commercial Charge dynamique selon ASTM -E1996

Installation of supporting profile / Installation du profil de sol

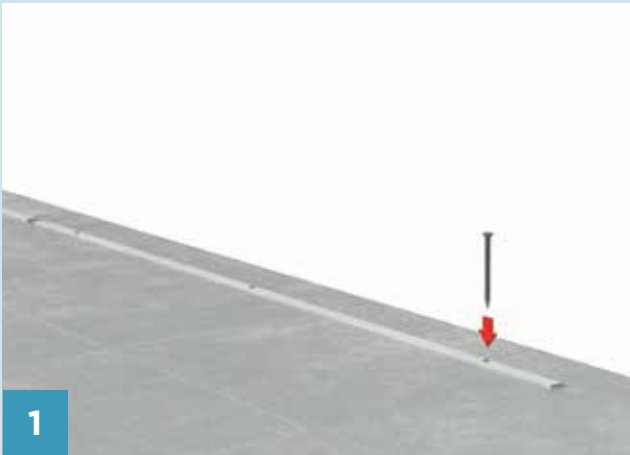


Recommended number of bases / m Nombre des embases recommandé	8.8.4 (17.52)				10.10.4 (21.52)			
	Glass height Hauteur du verre	Handrail Main courante	No. of bases/m No. des embases/m	L	Glass height Hauteur du verre	Handrail Main courante	No. of bases/m No. des embases/m	L
	600 mm	- F85-203 F85-204	3 2 2	275 mm 700 mm 700 mm	600 mm	- F85-203 F85-204	3 2 2	275 mm 700 mm 700 mm
1000 mm	- F85-203 F85-204	3 3 3	275 mm 275 mm 275 mm	1000 mm	- F85-203 F85-204	3 3 3	275 mm 275 mm 275 mm	
1100 mm	- F85-203 F85-204	4 3 3	133 mm 275 mm 275 mm	1100 mm	- F85-203 F85-204	4 3 3	133 mm 275 mm 275 mm	
1200 mm	- F85-203 F85-204	5 4 4	62.5 mm 133 mm 133 mm	1200 mm	- F85-203 F85-204	5 4 4	62.5 mm 133 mm 133 mm	

C2•line

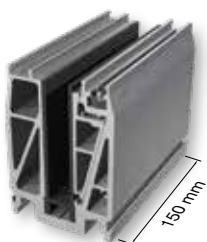
On-Floor System

Installation step by step / Assemblage base de support

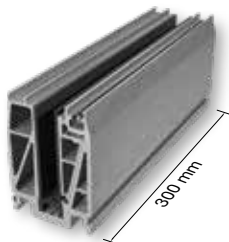


Supporting bases / Assemblage base de support

The supporting bases include fixing bolts/anchors / Profil de sol fourni avec les boulons et ancrage.



Glass base / Embase de support	
	F85-150C2/16 (8.8.4)
Code	F85-150C2/20 (10.10.4)
Pack./Condit.	12 pcs



Glass base / Embase de support	
	F85-300C2/16 (8.8.4)
Code	F85-300C2/20 (10.10.4)
Pack./Condit.	6 pcs

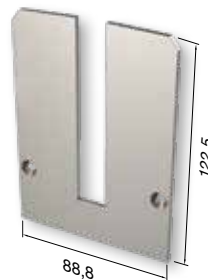
Accessories & gaskets / Accessoires & joints



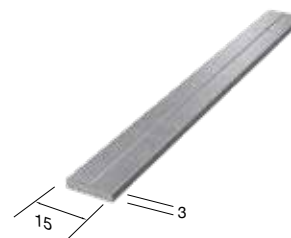
Base cover / Cache frontal	
Code	F85-1K15
Weight/Poids	705 gr/m
Length/Longueur	6 m



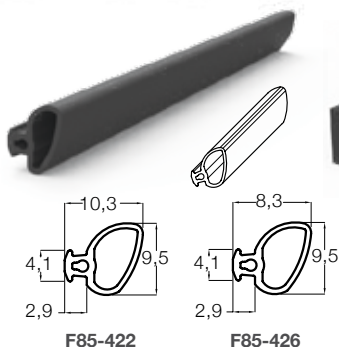
Side cap / Embout	
Code	F85-415/C2
Pack./Condit.	20 pcs



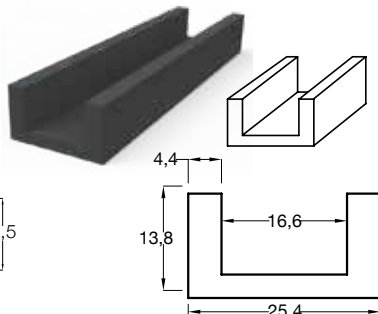
End cap (perforated) / Embout ouvert	
	F85-415/C2 L (8.8.4)
Code	F85-415/C2 M (10.10.4)
Pack./Condit.	20 pcs



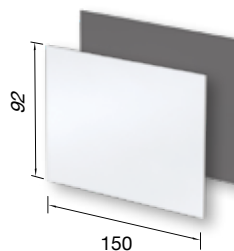
Alignment profile/Profil d' alignment	
Code	PAT39-120
Weight/Poids	121 gr/m
Length/Longueur	6 m



Gasket for base cover Joint de cache fron. F85-1K15	
Code	F85-422 (8.8.4)
	F85-426 (10.10.4)

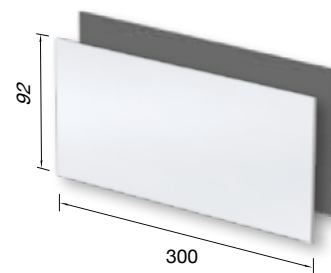


Glass support spacer Embout de profile encastre	
Code	F85-436
<i>Included in the glass support bases, also available seperately Fourni avec l' embase ainsi qu' au detail</i>	



PVC sheet / Plaque en PVC	
Code	F85-E020 * (1 mm) F85-E022 * (3 mm)
Color/Couleur	White/Blanc Black/Noir
Length/Longueur	150 mm

*Included in the glass support base F85-150C2, also available seperately
Fourni avec l' embase F85-150C2 ainsi qu' au detail.*



PVC sheet / Plaque en PVC	
Code	F85-E021 * (1 mm) F85-E023 * (3 mm)
Color/Couleur	Λευκό/White/ Blanc Black/Noir
Length/Longueur	300 mm

*Included in the glass support base F85-300C2, also available seperately
Fourni avec l' embase F85-300C2 ainsi qu' au detail.*



Ds·line



External support with glass brackets

Installing this system on your staircase or balcony, a floating and totally frame-less effect is gained.

The glass brackets in stainless steel of 40 and 50 diameter, are fixed directly on the external wall. Additional brackets available for use of handrail.

Highlights


- Perfect solution for staircases.
- Stunning look.
- Easy installation with 88.4 or 1010.4 securit glass.
- Installation during latest stage of project.
- Excellent quality of material.

Pose sur nez de dalle avec des adaptateurs a verre

Pour avoir de transparence sans limites! Ce garde corps tout verre, sans structure porteuse, s'inscrit dans une tendance architecturale forte. Les adaptateurs a verre rond a 40 & 50 en inox brossé, offrent la structure la robustesse et l'élégance a la fois.

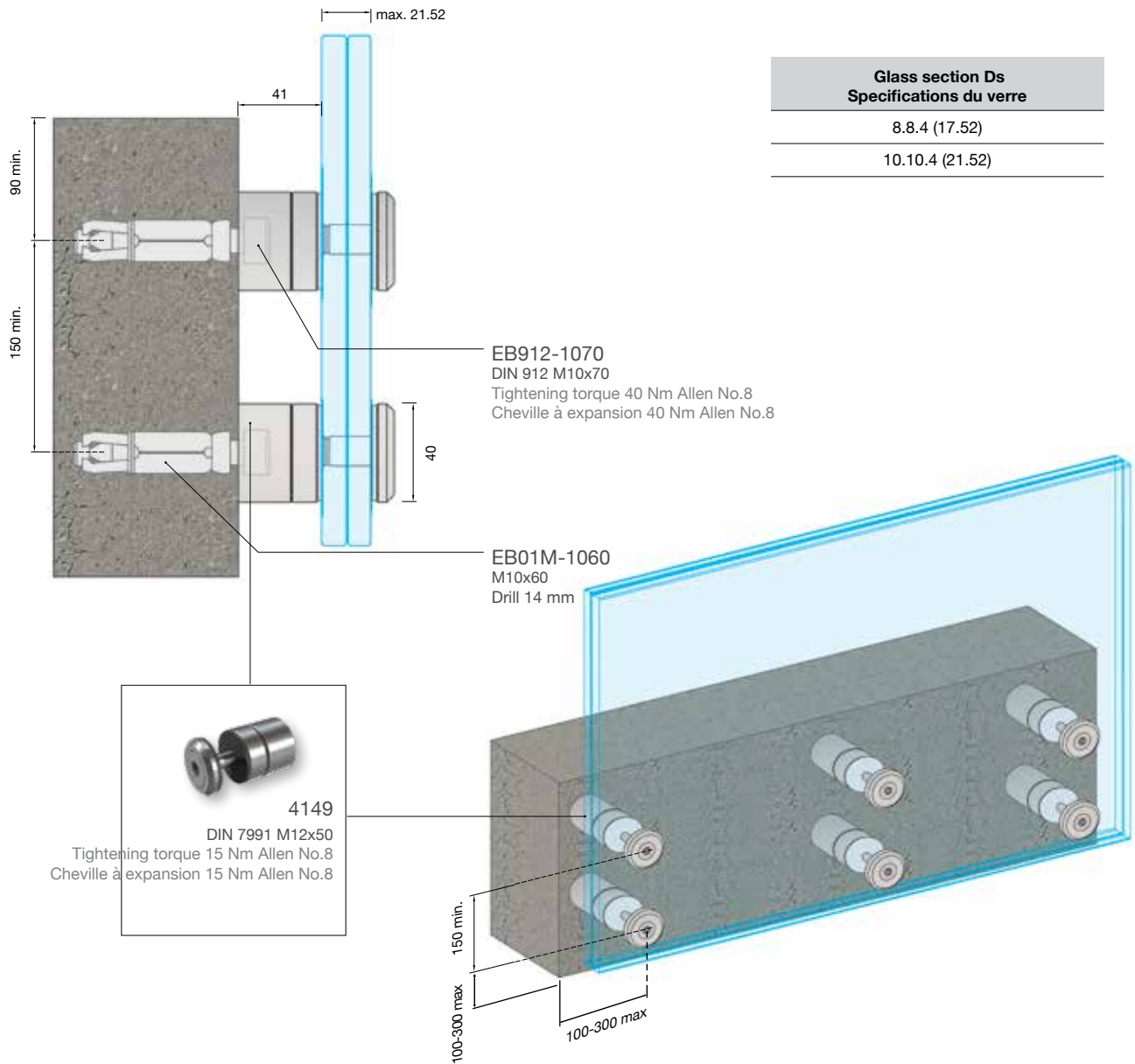
Les points forts

- Effet tout verre.
- Esthétique luxueuse.
- Facile à monter de verre à 88.4 ou 1010.4 securit.
- Pose durant la dernière phase du projet.
- Finition particulièrement soignée.



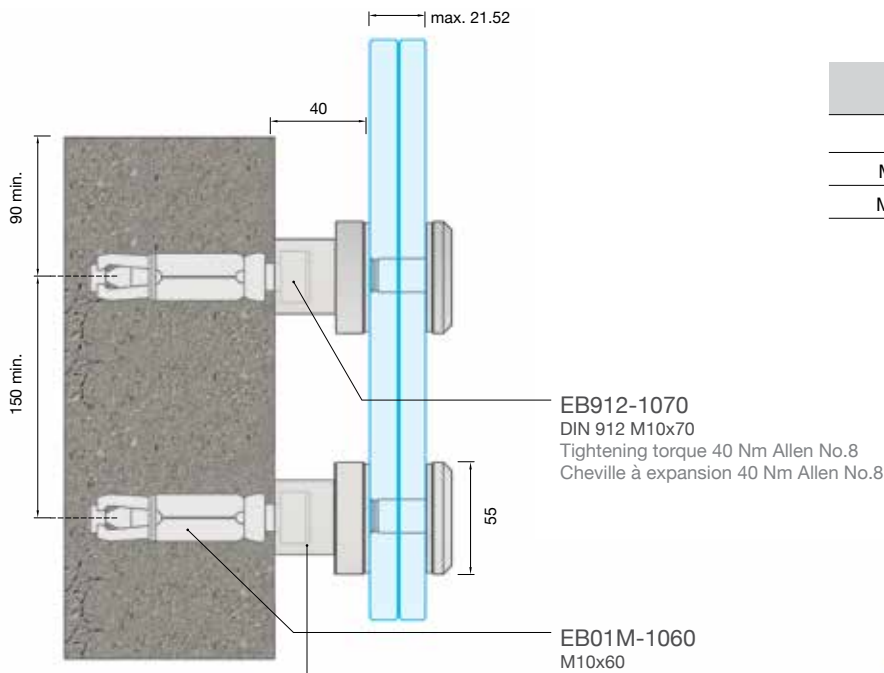
Que ce soit
des escaliers à
l'intérieur ou
l'extérieur, ils
devient une
passage a l'
ambiance de
bien-être.

Glass bracket installation / Entraxe de rosettes

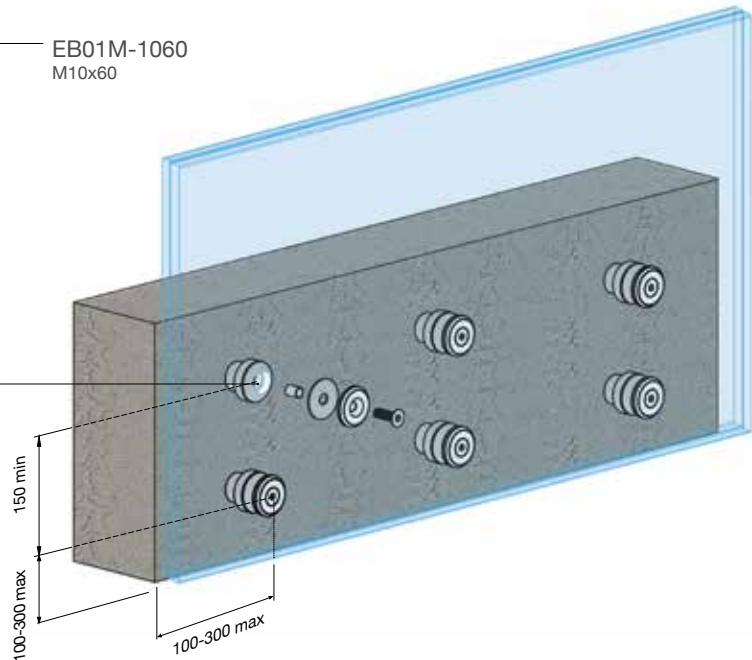


Balustrade Type Type de balustrade	Tempered Glass Panel Specifications de verre	Height of balustrade Hauteur de balustrade	Static Loading Category Resistance a la charge statique (Horizontal Loads)	Dynamic Loading Category Resistance a la charge dynamique (Impact Test)
Crystalline-Ds	8.8.4	1200 mm Glass/Verre	Private & commercial use Usage résidentiel & commercial	Private & commercial use Usage résidentiel & commercial

Glass bracket installation / Entraxe de rosettes



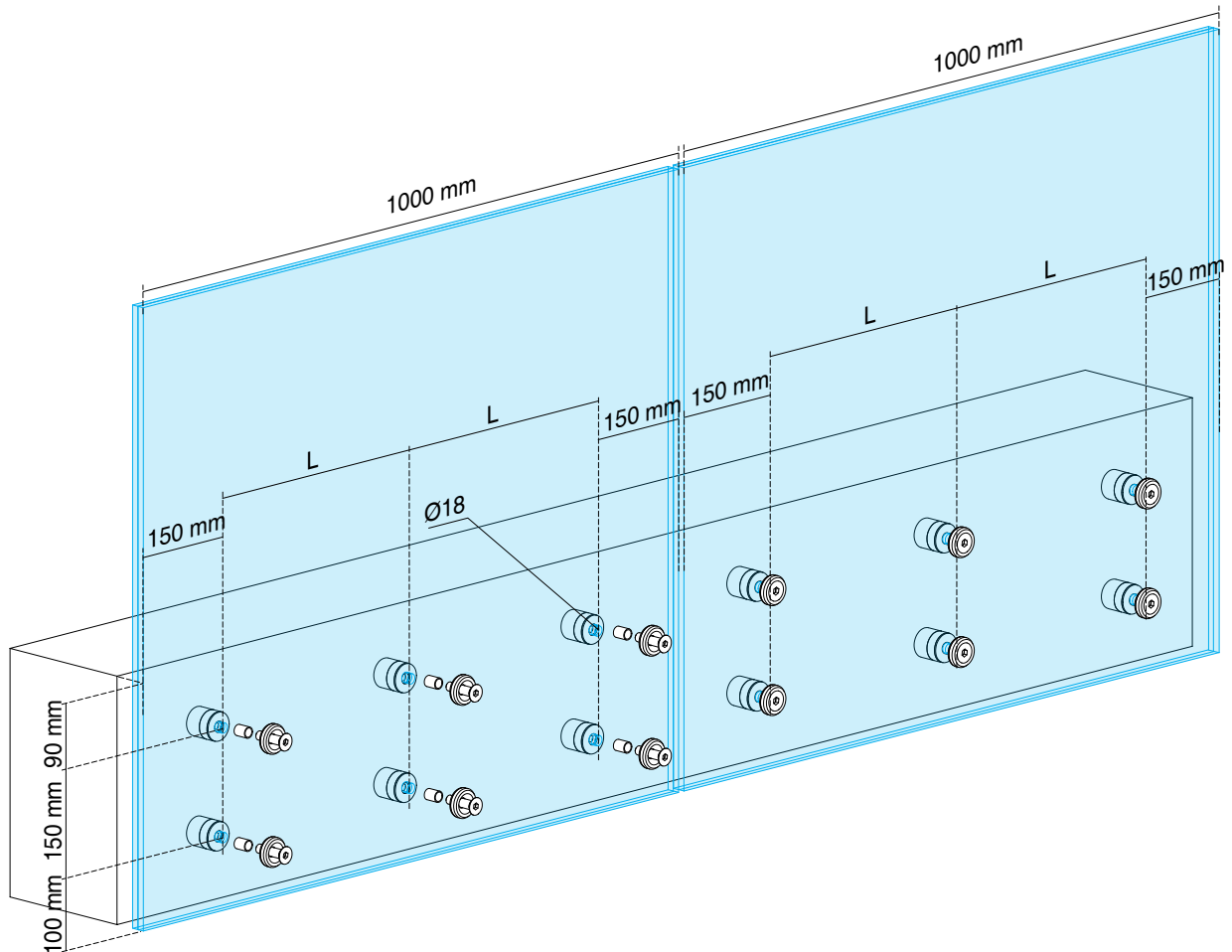
Glass section Ds Specifications du verre	
16 mm	20 mm
Min. 16.76 mm	Min. 20.76 mm
Max. 17.52 mm	Max. 21.52 mm



ATTENTION:
Mounting with handrail (with a 4148 or F85-451) improves static performance

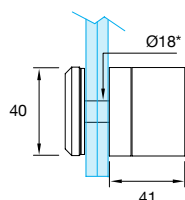
ATTENTION:
L' utilisation de main courante offre de meilleure performance static

Glass bracket installation / Entraxe de rosettes



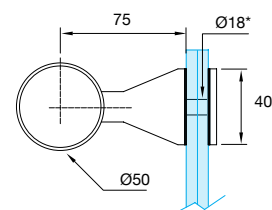
Recommended number of bases / m Nombre des embases recommandé	8.8.4 (17.52)				10.10.4 (21.52)			
	Glass height Hauteur du verre	Handrail Main courrante	No. of bases / m No. des embases / m	L	Glass height Hauteur du verre	Handrail Main courrante	No. of bases/m No. des embases/m	L
	600 mm	- F50-200	3 2	350 mm 700 mm	600 mm	- F50-200	3 2	350 mm 700 mm
1000 mm	- F50-200	3 3	350 mm 350 mm	1000 mm	- F50-200	3 3	350 mm 350 mm	
1200 mm	- F50-200	4 3	233 mm 350 mm	1100 mm	- F50-200	4 3	233 mm 350 mm	

Accessories / Accessoires



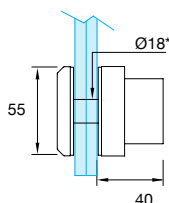
*Glass hole
Trou verre

Glass support Fixation murale de verre	
Code	4149-200* (Inox304) (8.8.4)
	4149-201* (Inox316) (10.10.4)
Pack./Condit.	12 pcs (box) 4 pcs (blister)



*Glass hole
Trou verre

Handrail support F50-200 Fixation articulée sur verre	
Code	4148-200 (Inox 304) (8.8.4)
	4148-201 (Inox 316) (10.10.4)
Pack./Condit.	12 pcs (box) 4 pcs (blister)



*Glass hole
Trou verre

Glass support Fixation Murale Verre Ø55	
Code	4136-200* (Inox316) (8.8.4) (10.10.4)
Pack./Condit.	12 pcs (box) 4 pcs (blister)



intertek

L·line TOP MOUNT

Heavy duty on floor system
Montage sur dalle

Enjoy the
exceptional
alignment of
simplicity and
style!

New Crystal line edition, L line TOP MOUNT, is a robust system that combines the benefits of safety and transparency with easy installation and functionality.

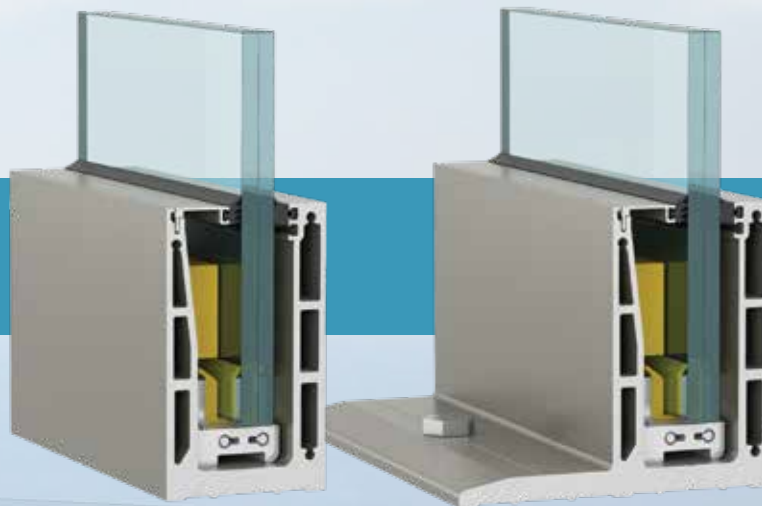
It is designed to cope with line loads more than 3 KN/m satisfying the requirements of regulations in homes, offices, stadiums, shopping centers, and public areas with high traffic.

The retention of the glass panel is achieved by using special internal trolleys having the potential to shift and align the glass panels with tilting ability $\pm 1^\circ$ (i.e., ± 15 mm on the upper surface of the glass) while the special gasket provides balance when setting up the glass panels.

La nouvelle gamme Crystal line, avec son embase L-line Top Mount, se compose de profils en aluminium robustes qui combinent les avantages de sécurité et d'élégance avec l'aisance d'installation.

Notre profil est conçu pour absorber de grandes charges allant plus de 3 KN/m, approprié pour une usage résidentiel, bureaux, lieux publics, centres commerciaux et stades sportifs.

L'alignement s'effectue par le biais d'un système innovant. Nos chariots offrent la possibilité d'aligner le vitrage, d'une manière mécanique, $\pm 1^\circ$ ce qui correspond à ± 15 mm de part et autre.



Highlights

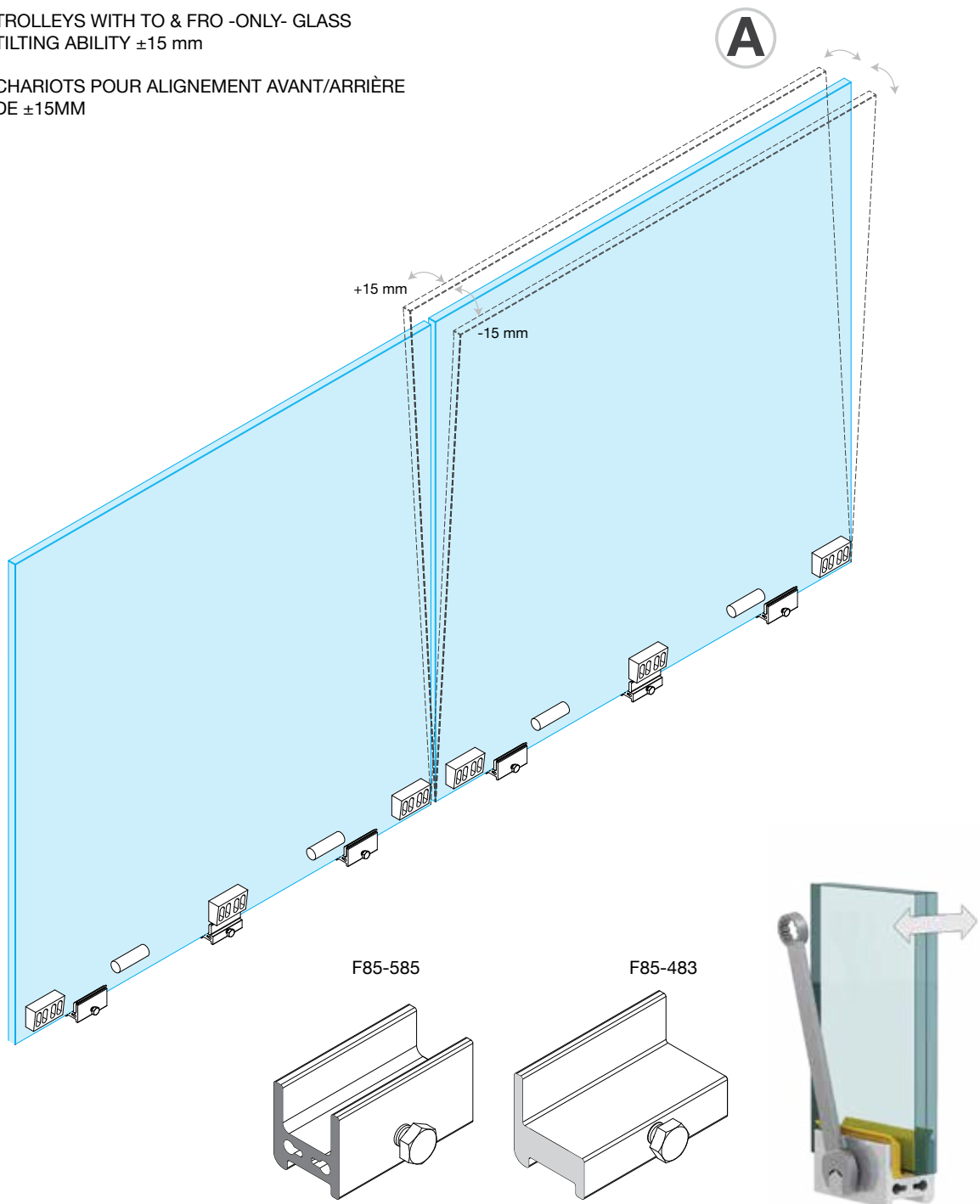
- Offers a choice of 3 different profile bases solutions
- Resists line loads more than 3 KN/m
- Single base at 3 m without additional external lid
- Easy glass installation.
- Exceptional alignment of the glass panels in every direction (to & from by up to 15 mm and up-down by up to 10 mm) from inside the balustrade.
- Meets worldwide safety and building regulations
- Suitable for use in high demand public areas

Les points forts

- 3 profils différents disponible en Top Mount
- Résistant aux charges plus de 3 KN/m
- Profils de 3 m, facilement maniable
- Installation aisée du vitrage
- Système d'alignement innovant avec 15 mm de jeu avant/arrière
- Système pour hausser le vitrage de 10mm sans enlever le vitrage
- Conforme aux dernières recommandations de la norme NBN 03-004
- Sans cache

Trolleys for 1-axis tilting ability Chariots pour alignement d'un axe

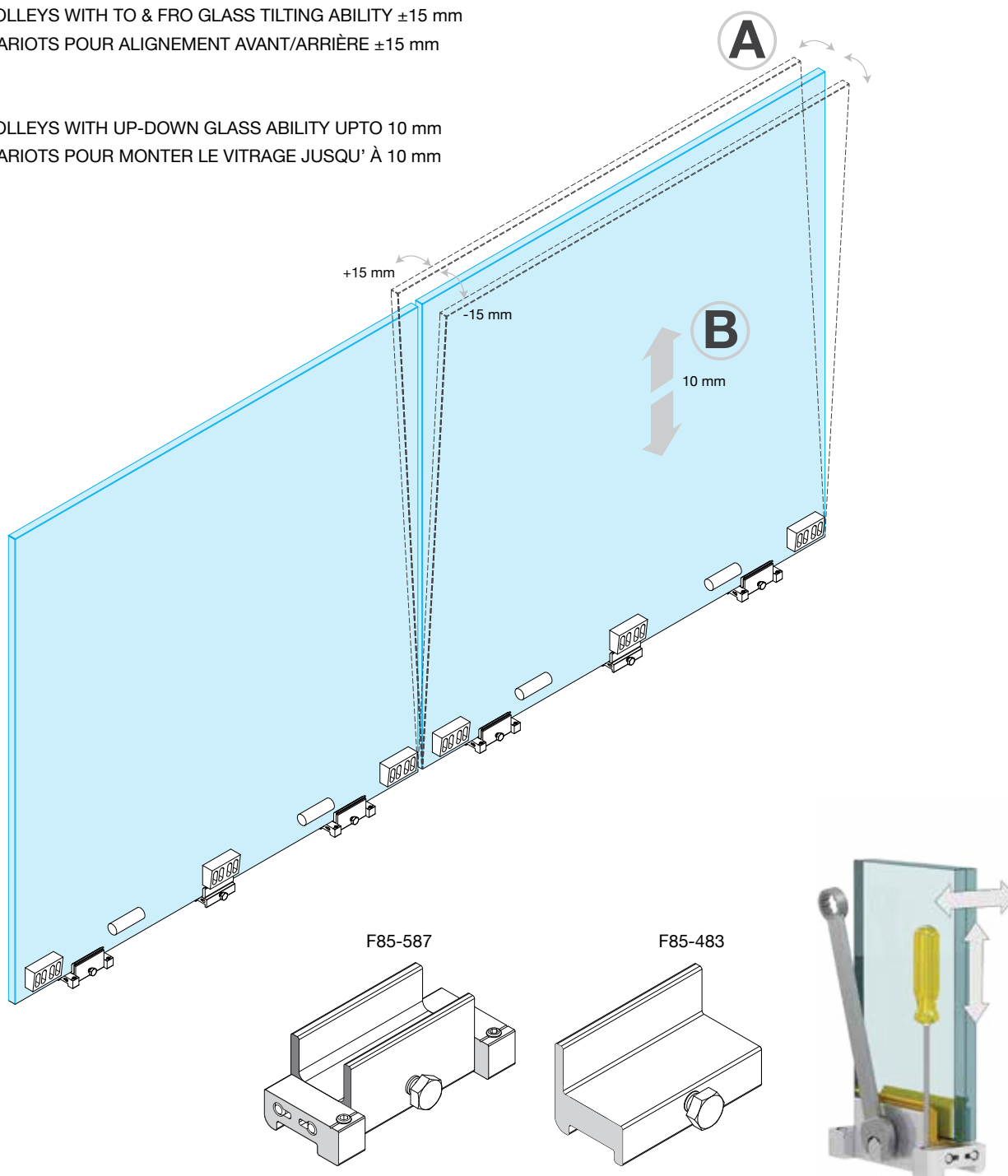
- A** TROLLEYS WITH TO & FRO -ONLY- GLASS
TILTING ABILITY ± 15 mm
- CHARIOTS POUR ALIGNEMENT AVANT/ARRIÈRE
DE ± 15 MM



Trolleys for 2-axis tilting ability Chariots pour alignement de deux axes

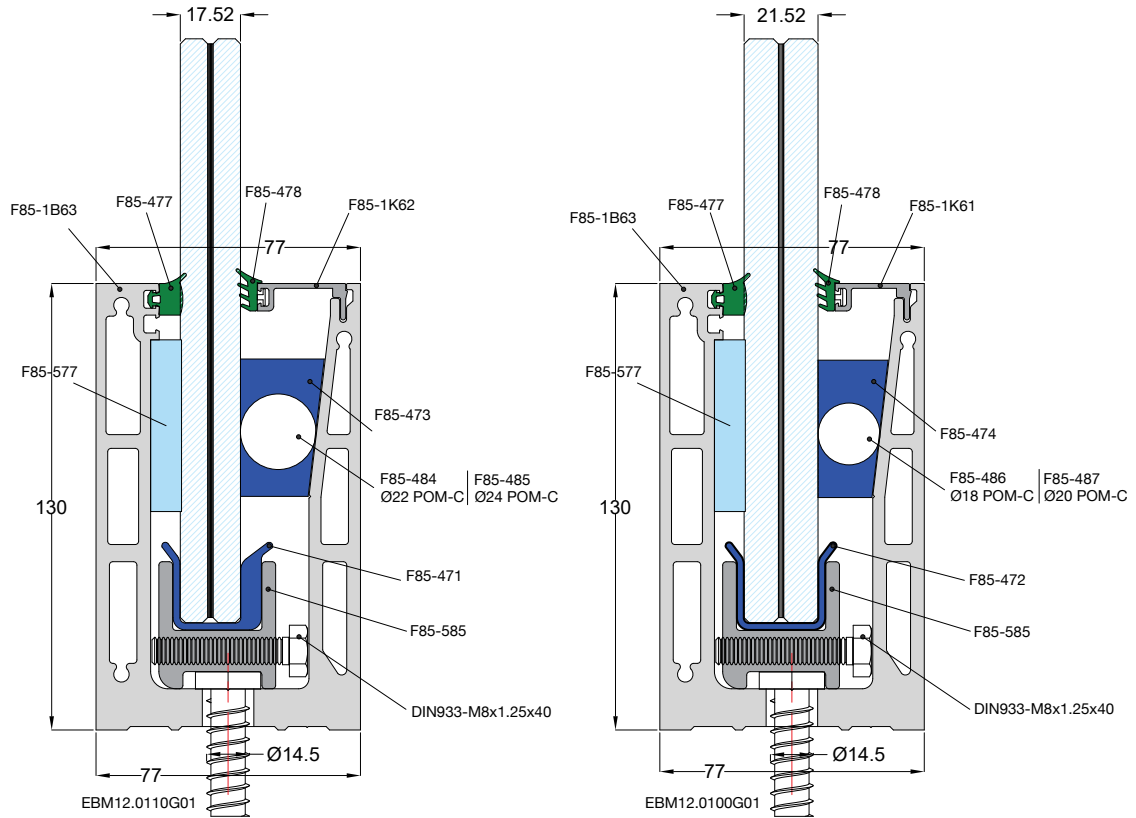
A TROLLEYS WITH TO & FRO GLASS TILTING ABILITY ± 15 mm
CHARIOTS POUR ALIGNEMENT AVANT/ARRIÈRE ± 15 mm

B TROLLEYS WITH UP-DOWN GLASS ABILITY UPTO 10 mm
CHARIOTS POUR MONTER LE VITRAGE JUSQU' À 10 mm

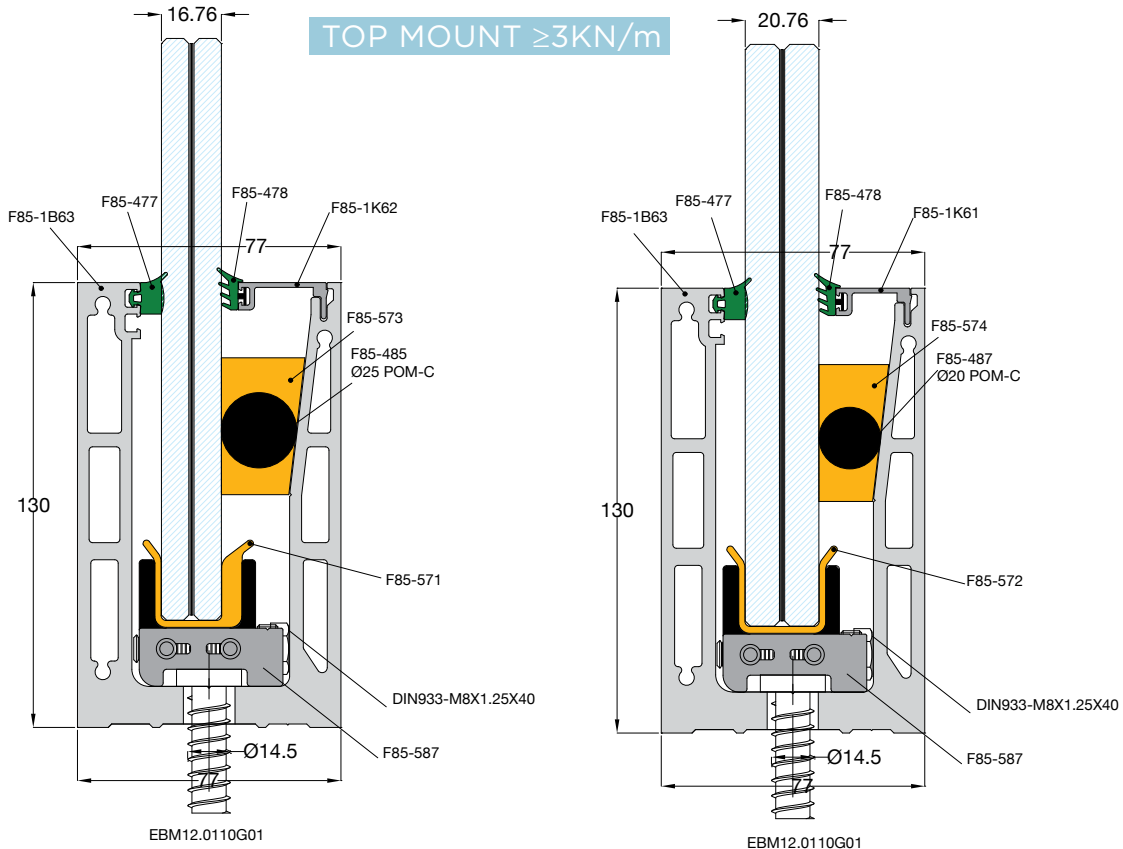


L·line TOP MOUNT

Heavy duty on floor system

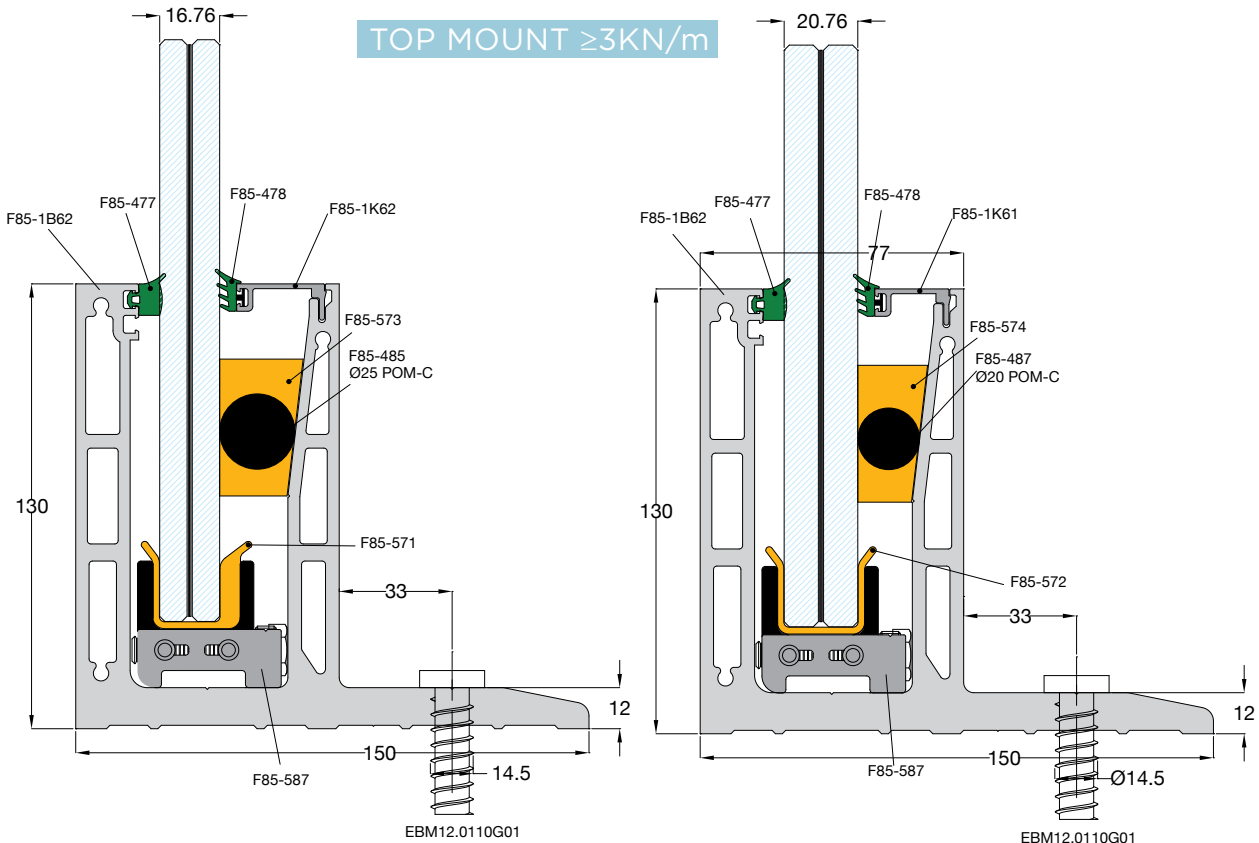


TOP MOUNT $\geq 3\text{KN/m}$



L·line TOP MOUNT

Montage sur dalle



Type of carrier Type de trolley	Type of use Usage	Types of plastic shaft glass seals Recepteur pour verre	Types of glass panels Type de verre
	F85-587 Side carrier Chariot pour Bord de vitrage (2 Pcs/m)	2-Axis Adjustment of Glass Panel Movable carrier Pour alignement de 2 axes	 F85-571 ABS PLASTIC 8-DG41-8=16.76 mm
	F85-585 Side carrier Chariot pour Bord de vitrage (2 Pcs/m)	1-Axis Adjustment of Glass Panel Movable carrier Pour alignement d'un axe	 F85-471 ABS PLASTIC 8-4PVB-8=17.52 mm
	F85-483 Middle carrier Chariot Intermédiaire (1 Pcs/m)	Simple support of Glass Panel Stationary carrier Pour simple soutien du vitrage	 F85-572 ABS PLASTIC 10-DG41-10=20.76 mm
		 F85-472 ABS PLASTIC 10-4PVB-10=21.52 mm	

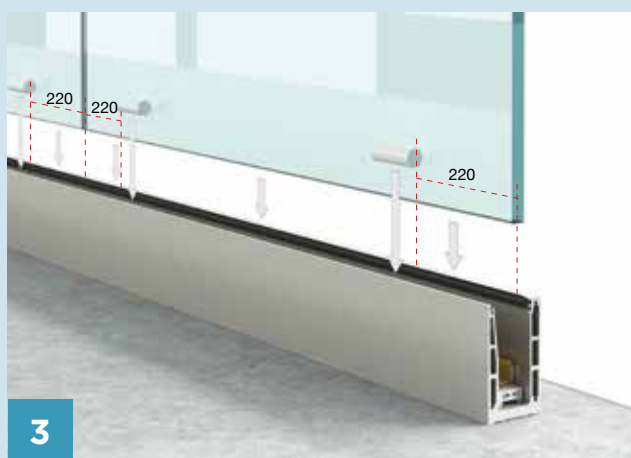
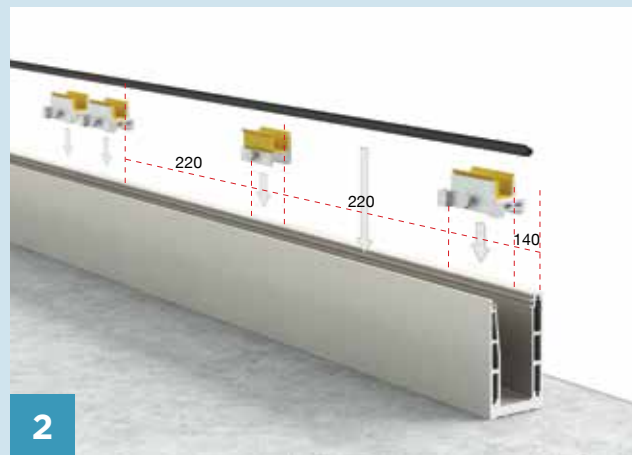
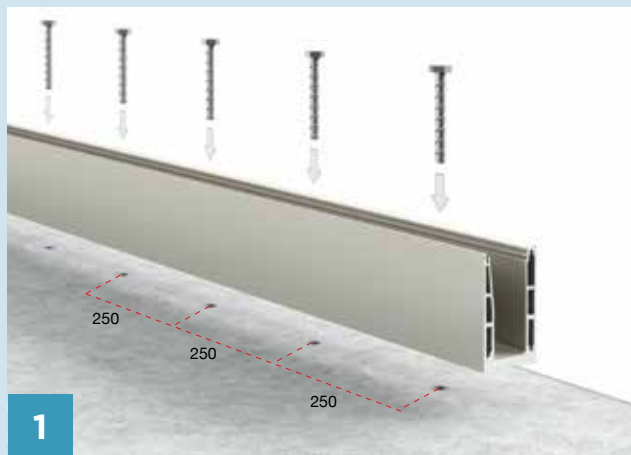
Applicable for all types of carries

Type	Tempered Laminate Glass Panel Verre trempé	Hauteur du garde-corps Height of Balustrade	Static Loading category (horizontal & vertical loads) Categorie de charges dynamiques (charges horizontal & verticales)	Charge dynamique (test d'impact) Dynamic Loading category (impact test)
F85-1B62	10.10.4 (DG41)	1200 mm	Public use/Stadiums/Malls - 3KN/m up to 5KN/m Espaces publiques/Centres commerciales/Stades - de 3KN/m à 5KN/m	
F85-1B63	10.10.4 (DG41)	1200 mm	Public use/Stadiums/Malls - 3KN/m up to 5KN/m Espaces publiques/Centres commerciales/Stades - de 3KN/m à 5KN/m	

L•line TOP MOUNT

Heavy duty on floor system

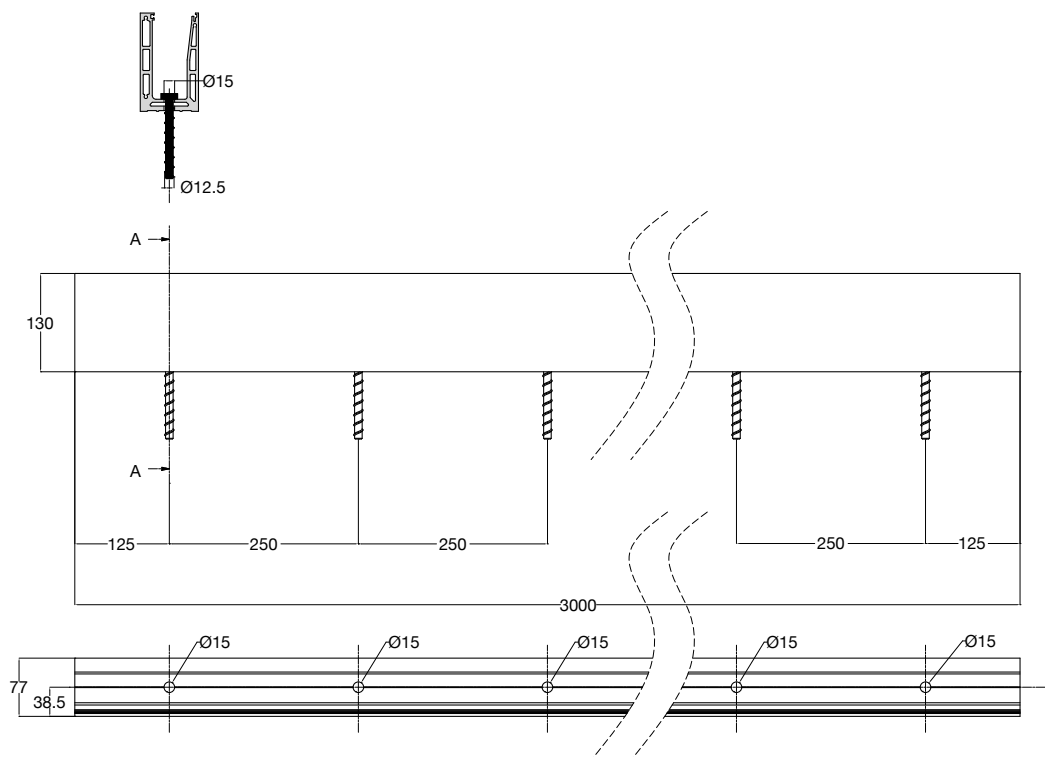
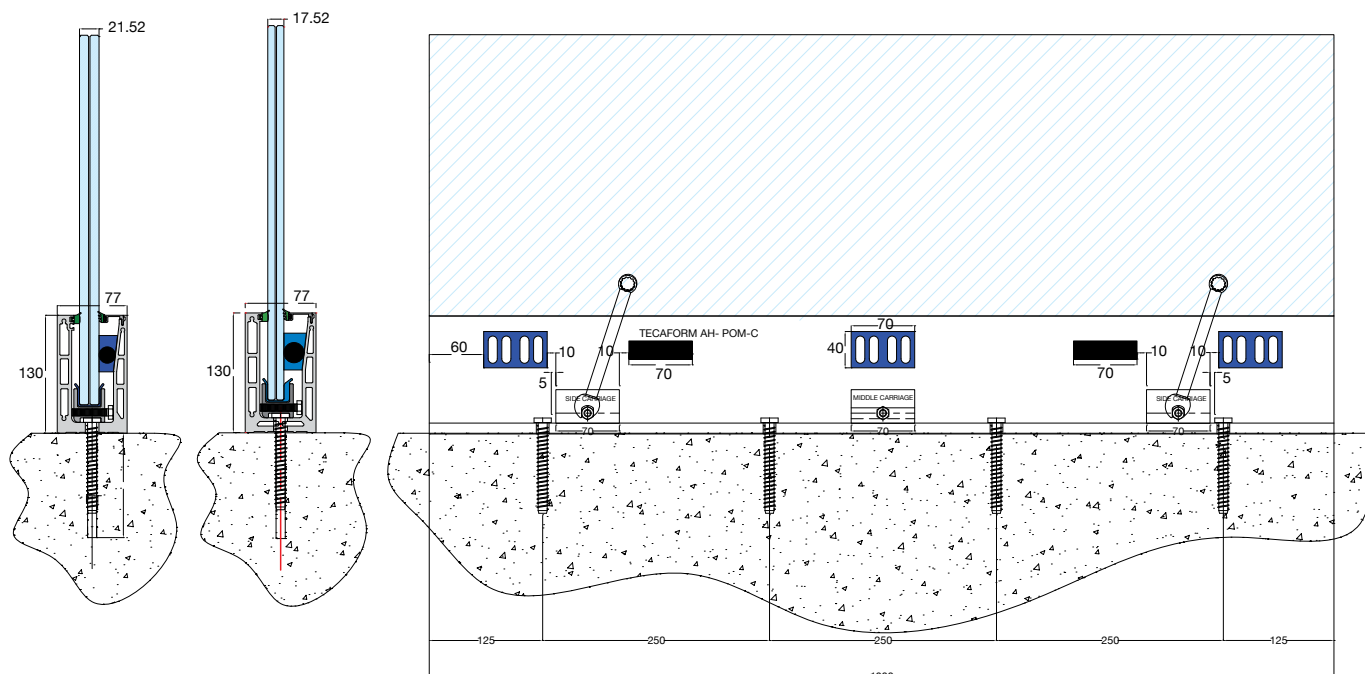
Installation step by step / Mode de montage



! Adhesive tape Lohman DuploColl 373 thickness: 0.33 mm, width: 15 mm (F85-476)
 A coller avec un adhésif pour aluminium type Lohman DuploColl 373 (F85-476)

L•line TOP MOUNT

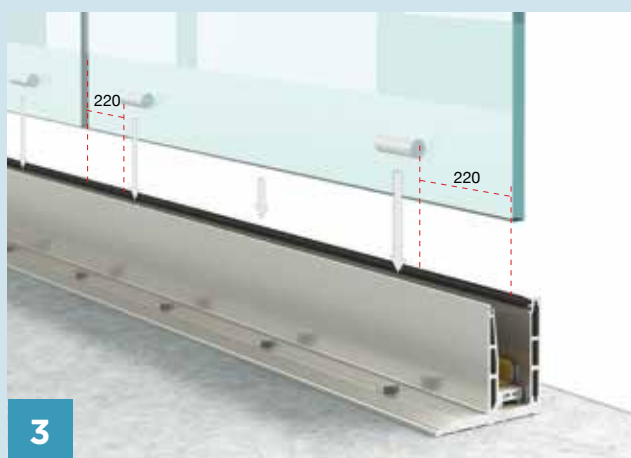
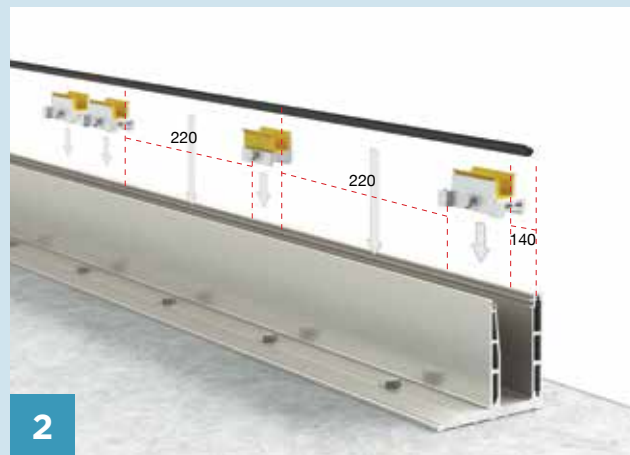
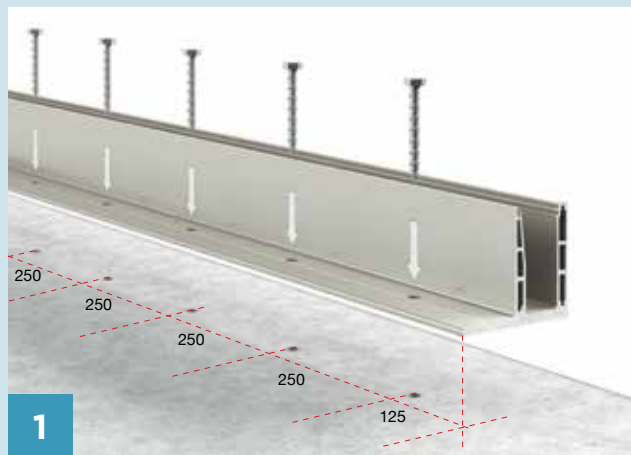
Montage sur dalle



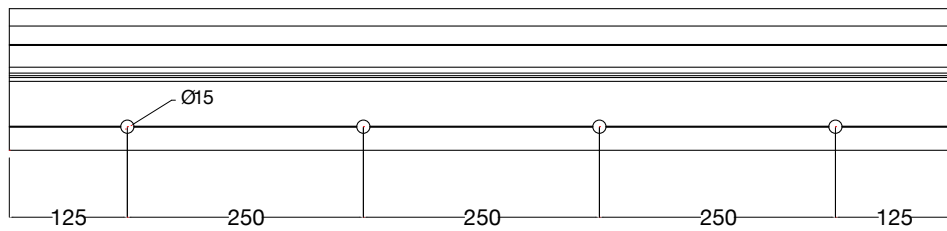
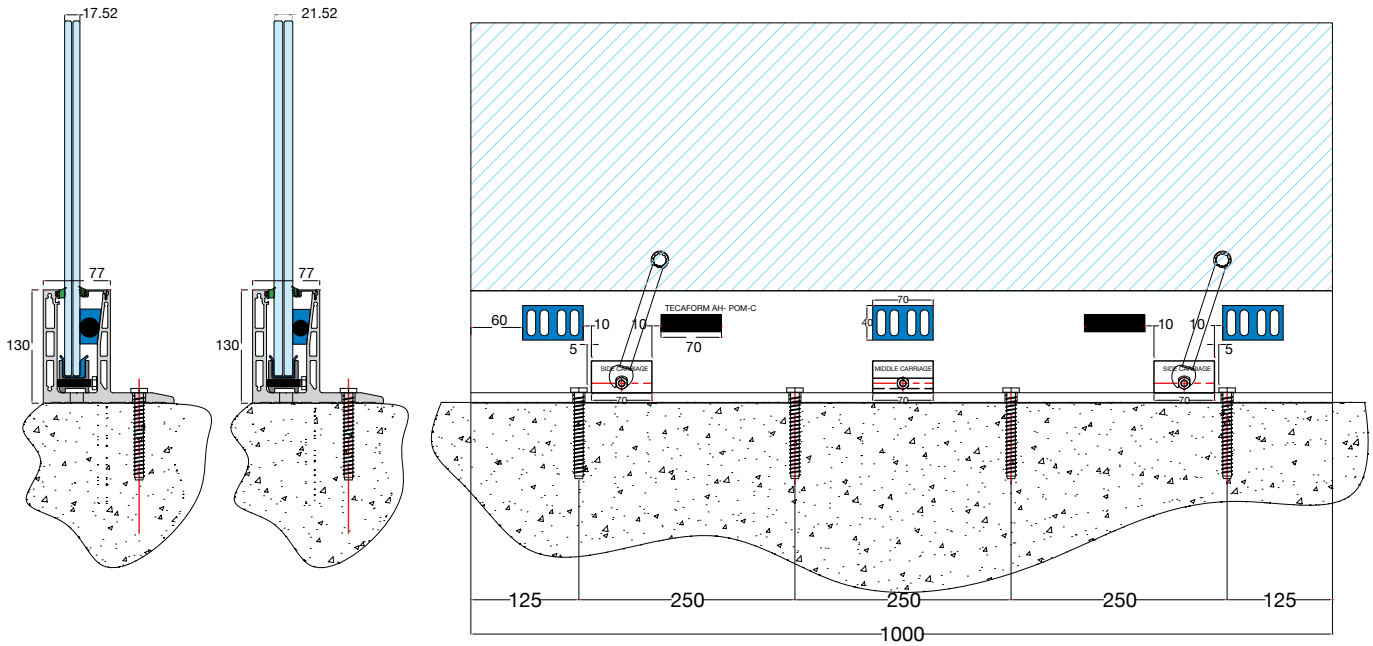
L•line TOP MOUNT with FIN

Heavy duty on floor system

Installation step by step / Mode de montage



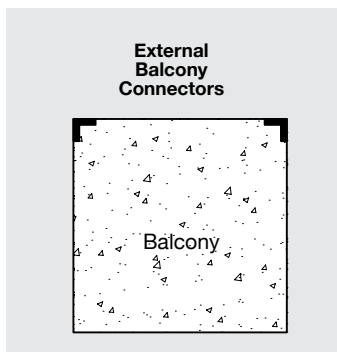
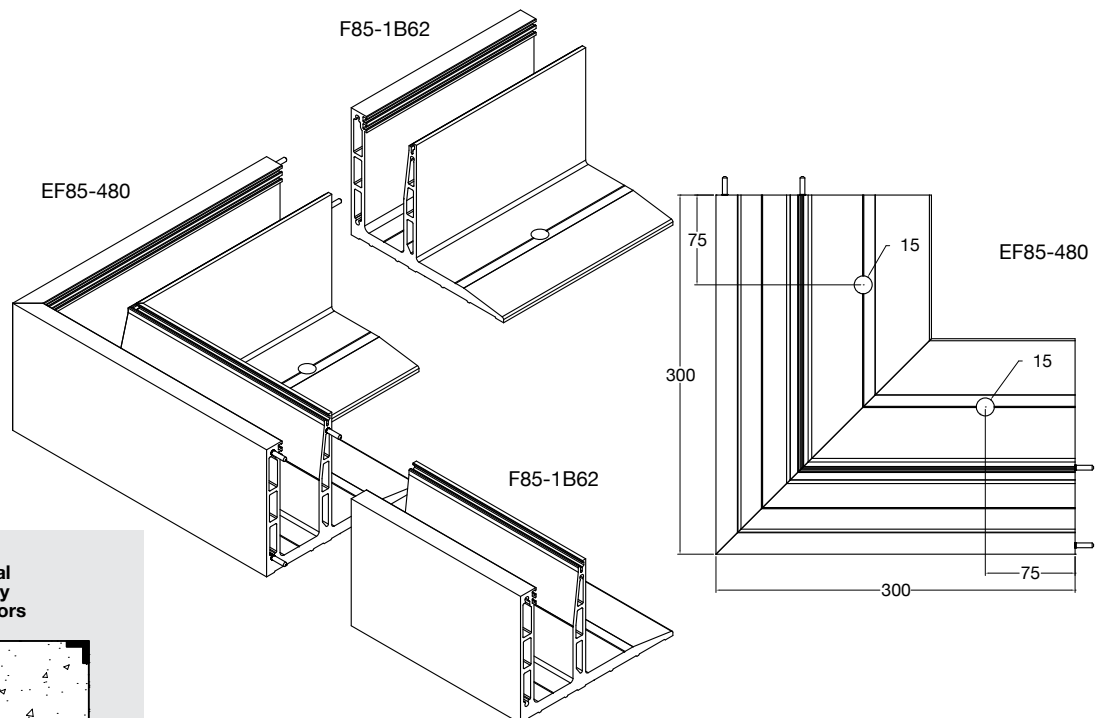
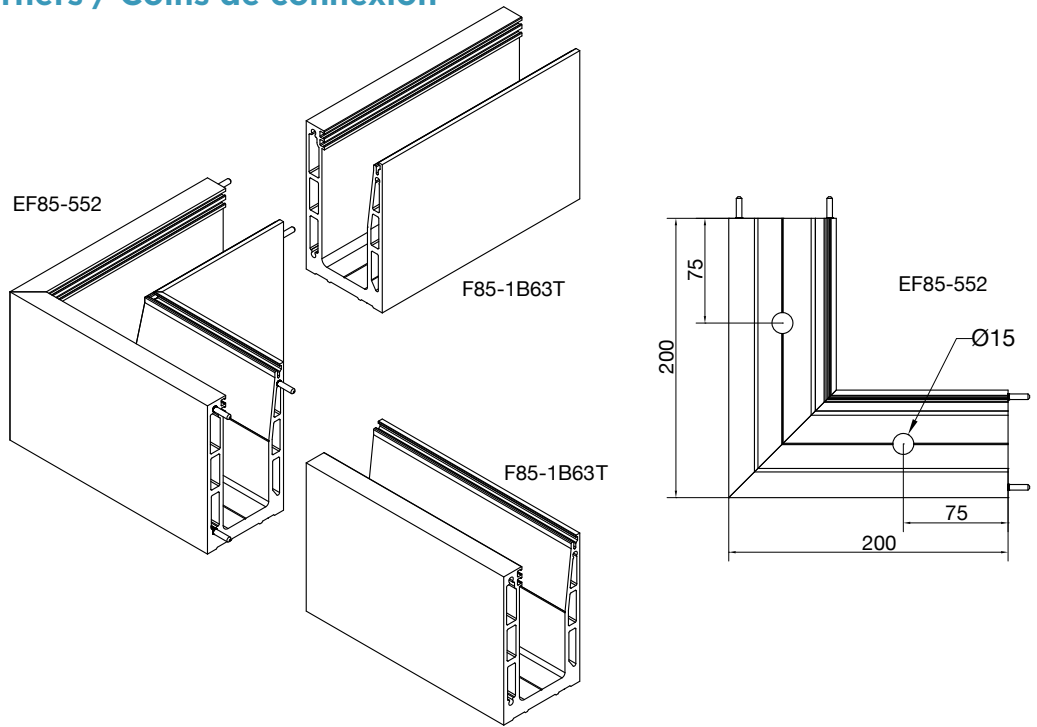
! Adhesive tape Lohman DuploColl 373 thickness: 0.33 mm, width: 15 mm (F85-476)
A coller avec un adhésif pour aluminium type Lohman DuploColl 373 (F85-476)

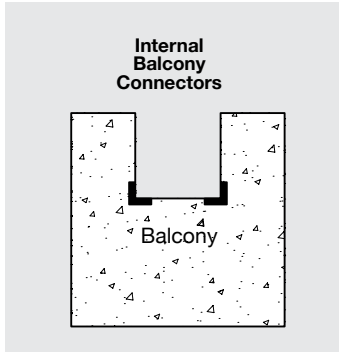
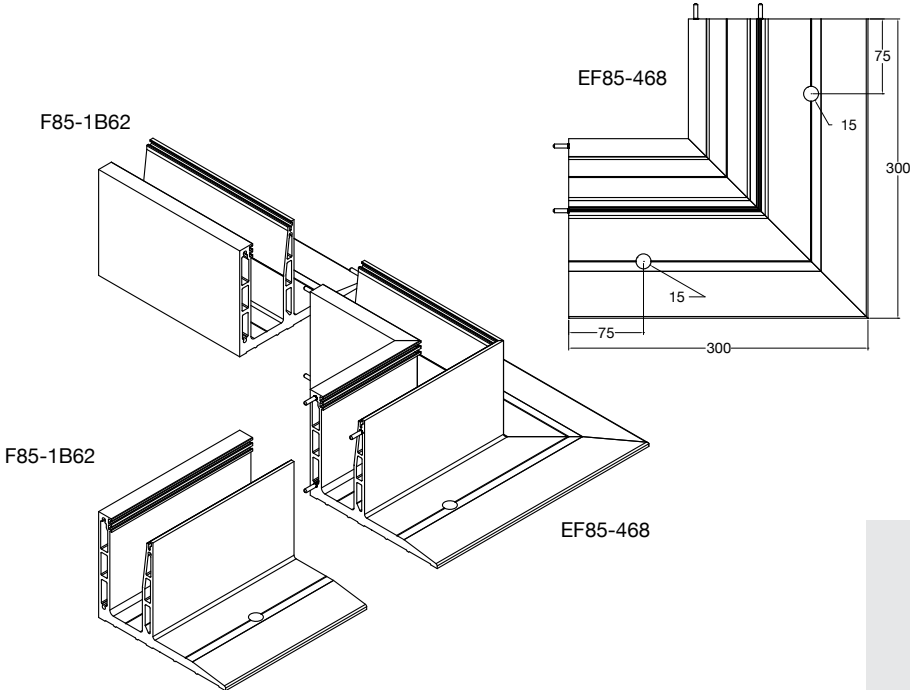
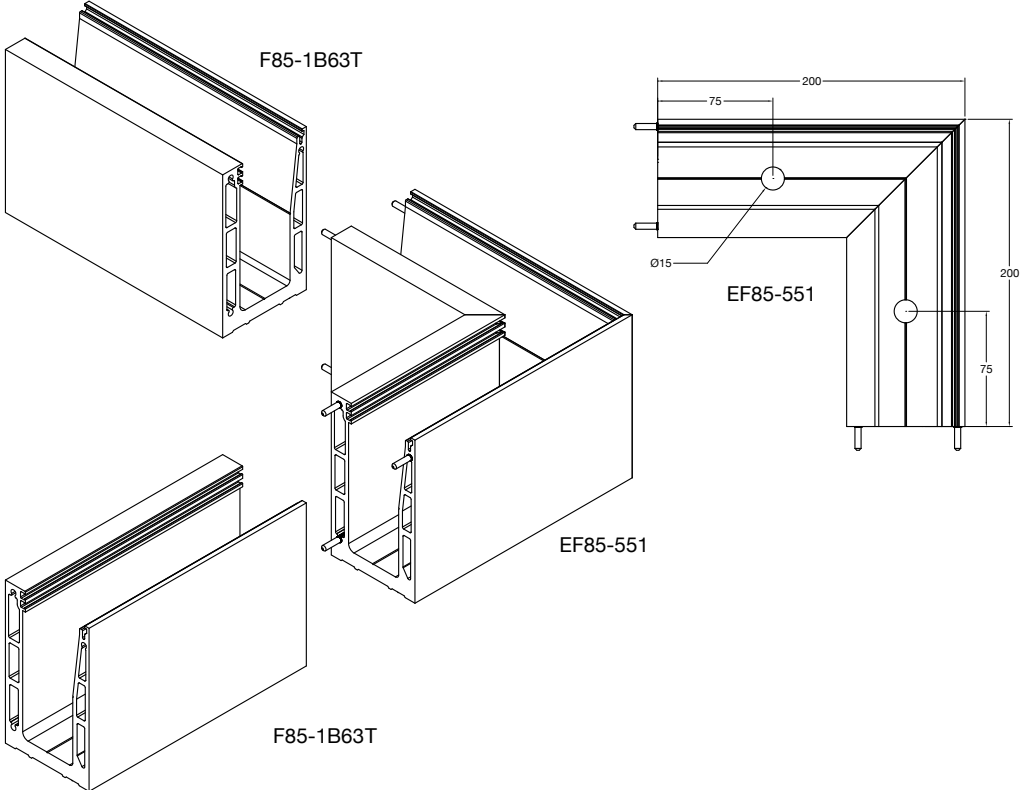


L·line TOP MOUNT

Heavy duty on floor system

Connection corners / Coins de connexion





L·line TOP MOUNT

Heavy duty on floor system

Profiles & accessories / Profiles & accessoires

The supporting bases and corner components are pre-cut and pierced, and include fixing bolts/anchors.
Les profils et coins sont pré-coupés et pourvus de trous de forage.

TOP MOUNT ≥ 3 KN/m



Base U-Profile / Embase	
Code	F85-1B63T* (10.10.4) (8.8.4)
Weight/Poids	7627 gr/m
Length/Longueur	3 m



Internal corner / Coude interieure	
Code	F85-551*
Length/Longueur	20x20 cm



External corner / Coude exterieure	
Code	F85-552*
Length/Longueur	20x20 cm

TOP MOUNT with FIN ≥ 3 KN/m



Base U-Profile with FIN / Embase	
Code	F85-1B62T* (10.10.4) (8.8.4)
Weight/Poids	9666 gr/m
Length/Longueur	3 m



Internal corner with FIN / Coude interieure	
Code	F85-468*
Length/Longueur	30x30 cm



External corner with FIN / Coude exterieure	
Code	F85-480*
Length/Longueur	30x30 cm



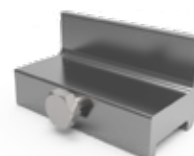
End cap / Embout	
Code	F85-489**
Length/Longueur	130x150 mm



End cap / Embout	
Code	F85-488**
Length/Longueur	77x130 mm



Adjustable carriage / Chariot interieure movable	
Code	F85-585
Weight/Poids	117 gr
Length/Longueur	70 mm



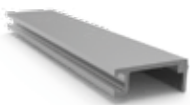
Intermediate fixed carriage / Chariot interieure fix	
Code	F85-483
Weight/Poids	97 gr
Length/Longueur	70 mm



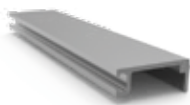
Intermediate movable carriage / Chariot Interieure Movable	
Code	F85-587
Weight/Poids	200 gr
Length/Longueur	100 mm

* Include the fixing bolts/anchors
Boulons et ancrage sont inclus

** Includes the adhesive tape Lohman DuploColl 373
Ruban adhesive Lohman DuploColl 373 inclus



Base inside cover Cache frontal interieure	
Code	F85-1K61 (10.10.4) (10.10.2)
Weight/Poids	178 gr/m
Length/Longueur	6 m



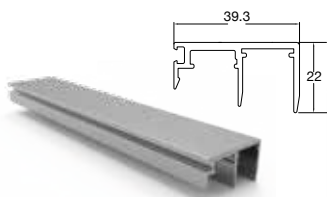
Base inside cover Cache frontal interieure	
Code	F85-1K62 (8.8.4) (8.8.2)
Weight/Poids	194 gr/m
Length/Longueur	6 m



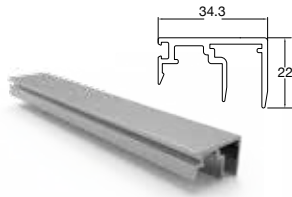
Base inside cover Cache frontal interieure	
Code	F85-1K66 (8.8.2) (8.8.4)
Weight/Poids	447 gr/m
Length/Longueur	6 m



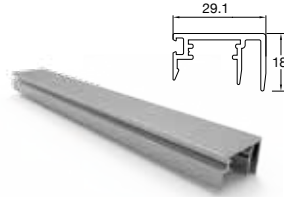
Base inside cover Cache frontal interieure	
Code	F85-1K67 (10.10.2) (10.10.4)
Weight/Poids	425 gr/m
Length/Longueur	6 m



Base external cover for 15 mm panel Cache frontal exterieure	
Code	F85-1K63
Weight/Poids	475 gr/m
Length/Longueur	6 m



Base external cover for 10 mm panel Cache Frontal Exterieur	
Code	F85-1K64
Weight/Poids	460 gr/m
Length/Longueur	6 m



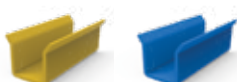
Base external cover for 5 mm panel Cache Frontal Exterieur	
Code	F85-1K65
Weight/Poids	349 gr/m
Length/Longueur	6 m



PIN / BROCHE	
Code	F85-481



Glass support / Support de verre	
Code	F85-471 • (8.8.4) F85-571 • (8.8.2)
Length/Longueur	70 mm



Glass support / Support de verre	
Code	F85-472 • (10.10.4) F85-572 • (10.10.2)
Length/Longueur	70 mm



Intermediate wedge Cale Plast. L70 mm Ø22	
Code	F85-484 Ø22 (8.8.4) F85-485 Ø25 (8.8.2) F85-486 Ø18 (10.10.4) F85-487 Ø20 (10.10.2)
Length/Longueur	70 mm



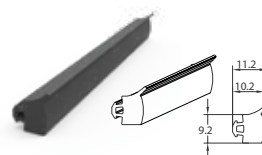
Basic wedge / Cale plastique	
Code	F85-473 • (8.8.4) F85-573 • (8.8.2) F85-474 • (10.10.4) F85-574 • (10.10.2)
Length/Longueur	70 mm



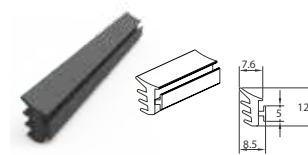
Curved wrench No13/Cle courbe No13	
Code	F85-561



Concrete Screw Ø12-110 Ancre pour béton Ø12-110	
Code	EBM12-110



Counter - Balance gasket Joint du verre (embase)	
Code	F85-477
Length/Longueur	100 m
Hardness/Dureté	100 shore



Main gasket/Joint du verre (cache frontal)	
Code	F85-478
Length/Longueur	100 m

Alignement
avec simplicité
et style!



L·line SIDE MOUNT

Heavy duty fascia mount system
Montage en applique

In perfect
alignment with
simplicity and
style!

New Crystal line edition, L line SIDE MOUNT, offers all the advantages of TOP MOUNT while providing more transparency satisfying every architectural and professional desire.

It is designed to cope with line loads more than 3 KN/m while the reference point is the unique possibility of perfect aligning the glass panel in each direction (to & fro by up to 15 mm and up-down by up to 10 mm) and from inside the balustrade.

The whole design exudes a sophisticated style that captures attention.

Les nouveaux profilés Crystal line L-line Side Mount proposent les mêmes avantages que le Top Mount avec en plus une finition encore plus épurée qui répond aux nécessités professionnelles et architecturales.

Nos profils sont conçus pour absorber de grandes charges allant jusqu'à 3 KN/m, approprié pour une usage résidentiel, bureaux, lieux publics, centres commerciaux et stades sportifs.

L'alignement s'effectue par le biais d'un système innovant. Nos chariots offrent la possibilité d'aligner le vitrage, d'une manière mécanique, d' 1° ce qui correspond à ± 15 mm de part et autre.



Highlights

- Offers a choice of 2 different profile bases solutions
- Resists line loads more than 3 KN/m
- Single base at 3 m without additional external lid
- Easy glass installation.
- Max. construction height up to 1.20 m.
- Exceptional alignment of the glass panels in every direction (to & from by up to 15 mm and up-down by up to 10 mm) from inside the balustrade.
- Meets worldwide safety and building regulations
- Suitable for use in high demand public areas

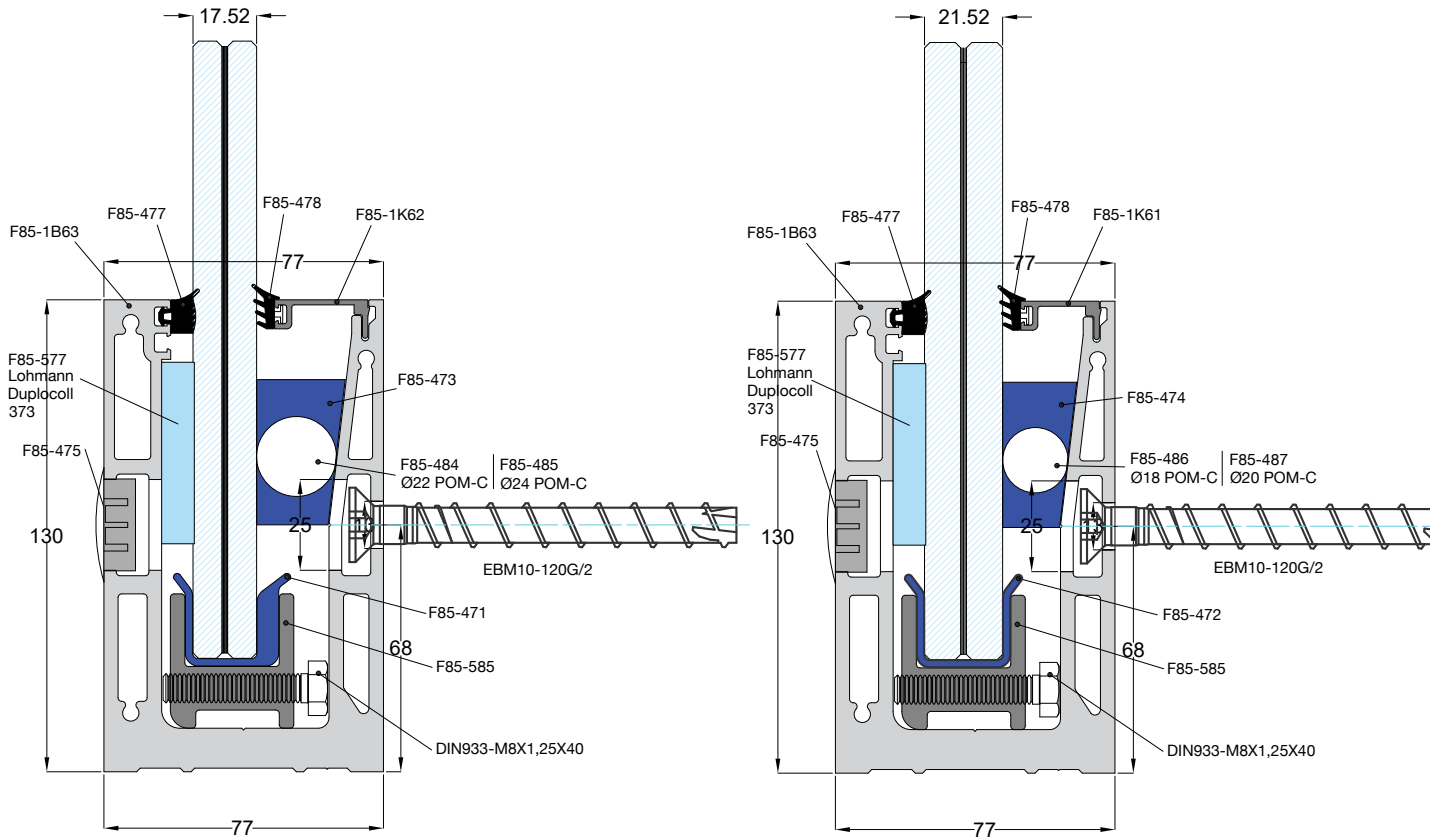
Les points forts

- 2 profils différents disponible en Side Mount
- Résistant aux charges plus de 3 KN/m
- Profils de 3m, facilement maniable
- Installation aisée du vitrage
- Max. hauteur de construction jusqu'à 1.20 m.
- Système d'alignement innovant avec 15 mm de jeu avant/arrière
- Système pour hausser le vitrage de 10 mm sans enlever le vitrage
- Conforme aux dernières recommandations de la norme NBN 03-004

L·line SIDE MOUNT

Heavy duty fascia mount system

SIDE MOUNT ≥ 1 KN/m



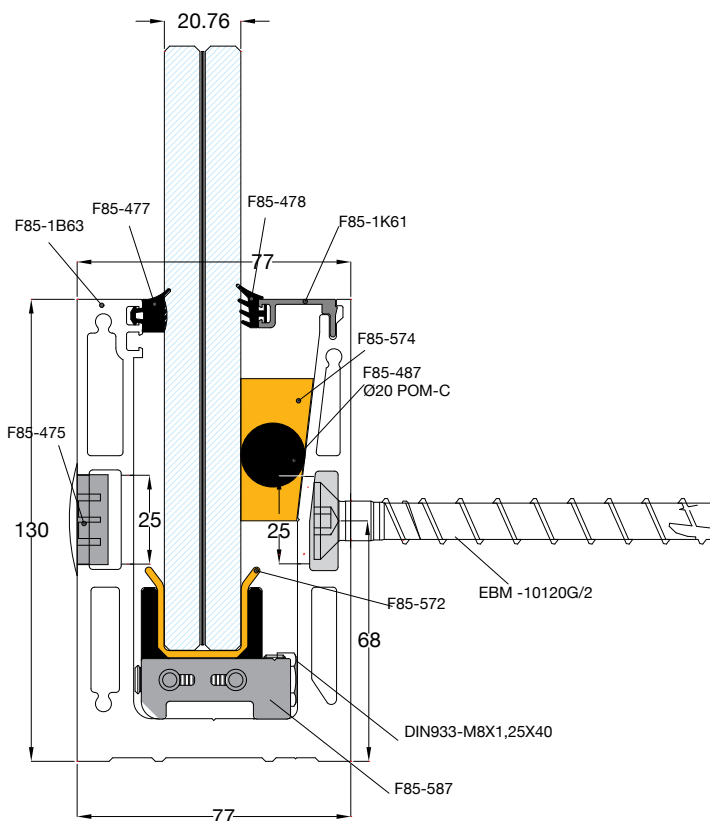
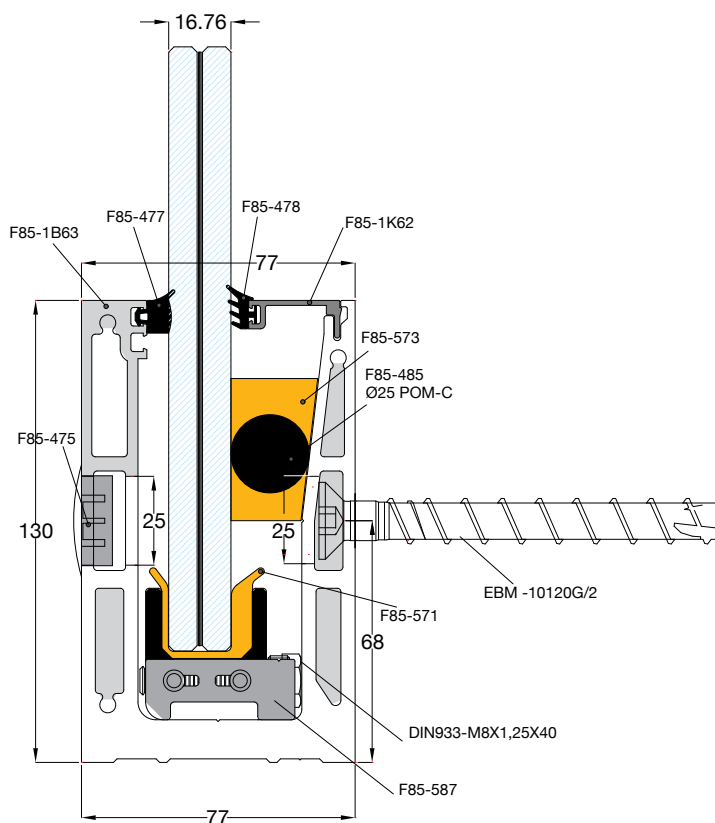
Type of carrier Type de trolley	Type of use Usage	Types of plastic shaft glass seals Recepteur pour verre	Types of glass panels Type de verre
	F85-587 Side carrier Chariot pour Bord de vitrage (2 Pcs/m)		F85-571 ABS PLASTIC 8-DG41-8=16.76 mm
	F85-585 Side carrier Chariot pour Bord de vitrage (2 Pcs/m)		F85-471 ABS PLASTIC 8-4PVB-8=17.52 mm
	F85-483 Middle carrier Chariot Intermédiaire (1 Pcs/m)		F85-572 ABS PLASTIC 10-DG41-10=20.76 mm
			F85-472 ABS PLASTIC 10-4PVB-10=21.52 mm

Applicable for all types of carries

L·line SIDE MOUNT

Montage en applique

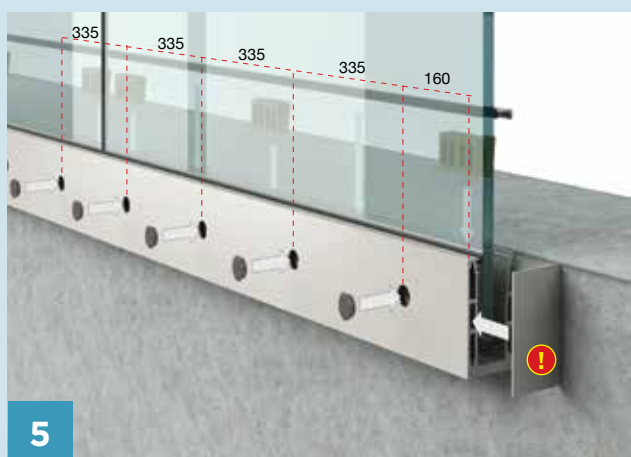
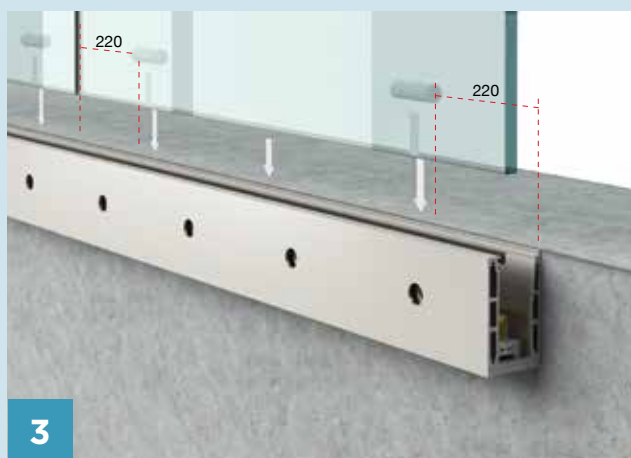
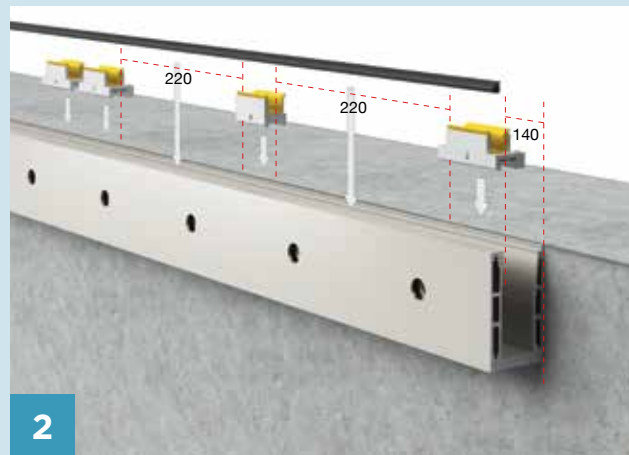
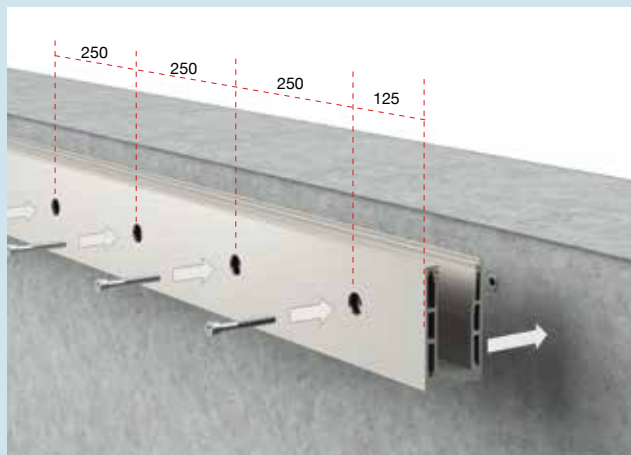
SIDE MOUNT ≥ 1.7 KN/m



L•line SIDE MOUNT

Heavy duty fascia mount system

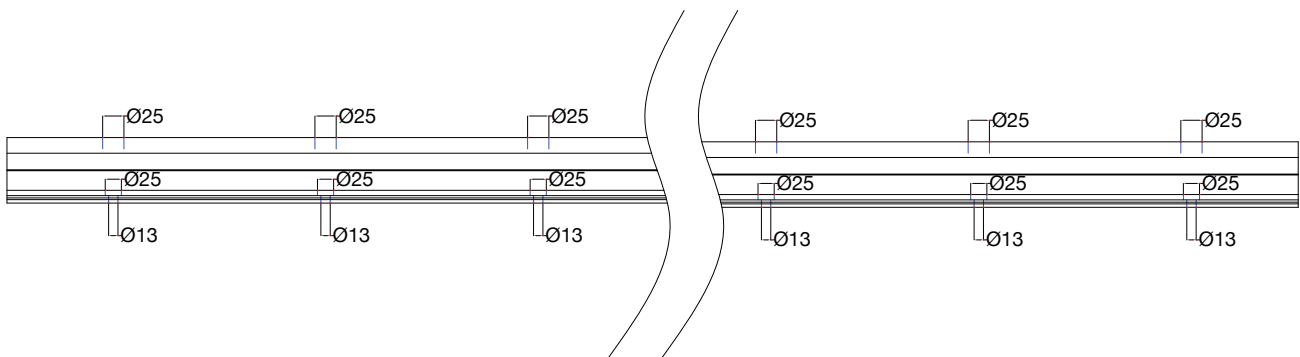
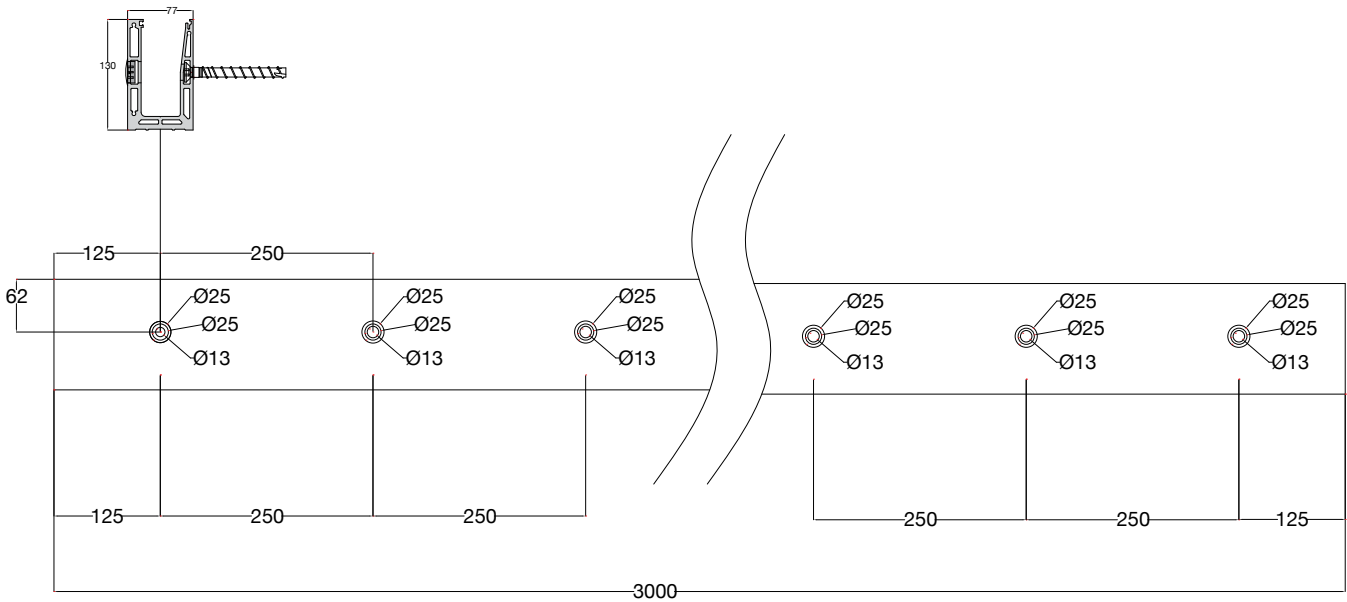
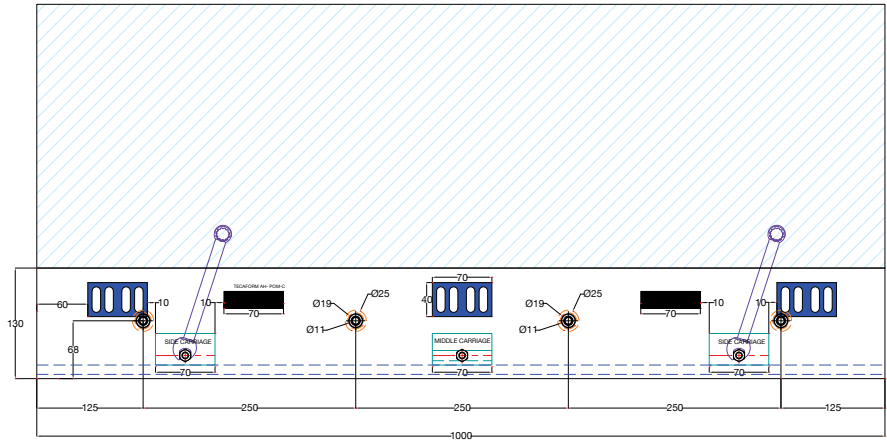
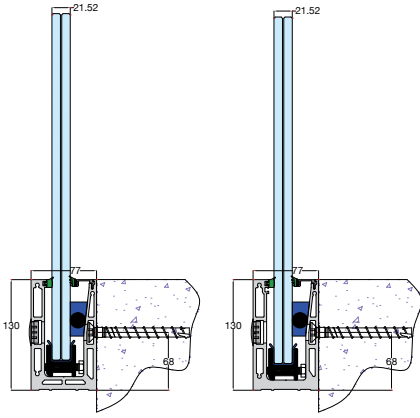
Installation step by step / Assemblage base de support



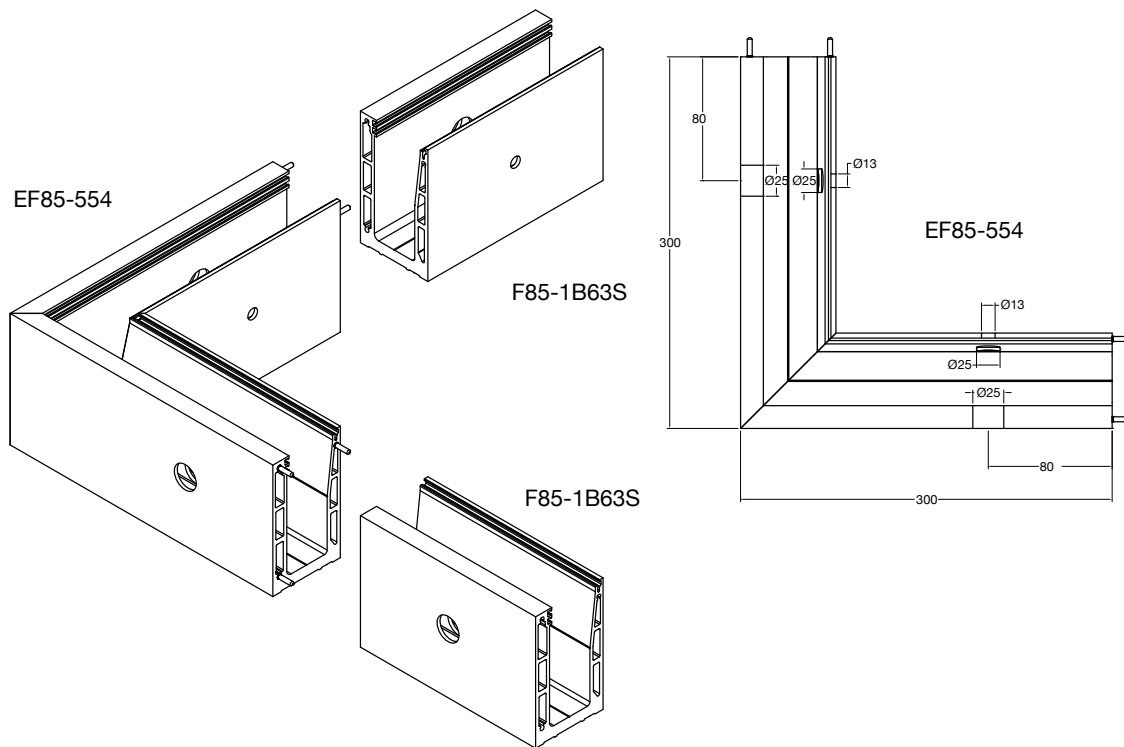
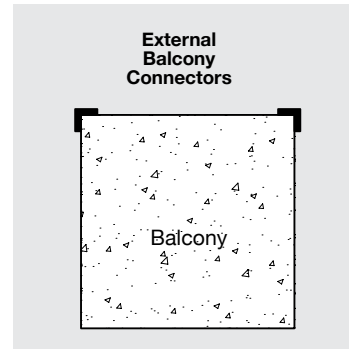
! Adhesive tape Lohman DuploColl 373 thickness: 0.33 mm, width: 15 mm (F85-476)
 A coller avec un adhésif pour aluminium type Lohman DuploColl 373 (F85-476)

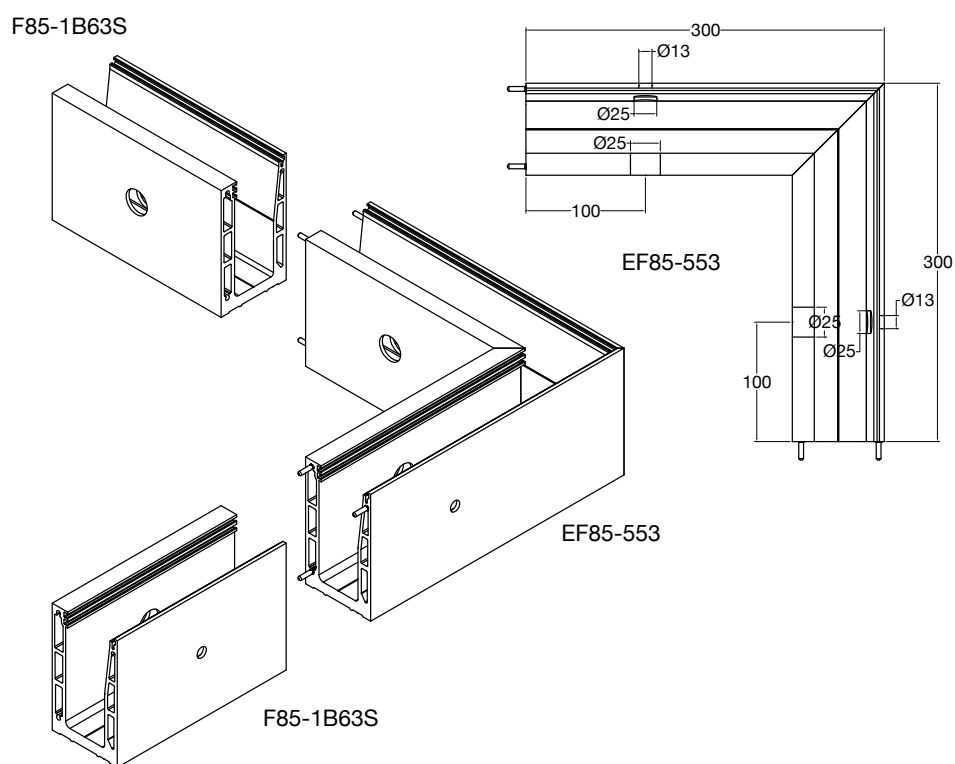
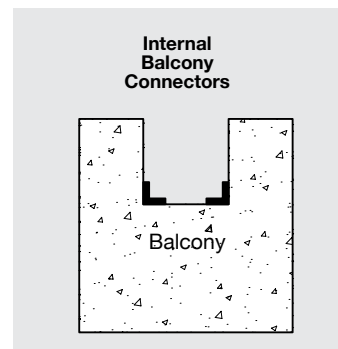
L·line SIDE MOUNT

Montage en applique



Connection corners / Coins de connection





L·line SIDE MOUNT

Heavy duty fascia mount system

Profiles & accessories / Profiles & accessoires

The supporting bases and corner components are pre-cut and pierced, and include fixing bolts/anchors.
Les profils et coins sont pré-coupés et pourvus de trous de forage.

SIDE MOUNT ≥ 1.7 KN/m



Base U-Profile / Embase	
Code	F85-1B63S* (10.10.4) (8.8.4)
Weight/Poids	7627 gr/m
Length/Longueur	3 m



Internal corner / Coude Interieure	
Code	F85-553*
Length/Longueur	30x30 cm



External corner / Coude exterieure	
Code	F85-554*
Length/Longueur	30x30 cm

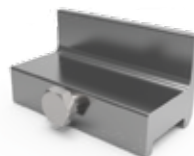
SIDE MOUNT with FIN ≥ 3 KN/m



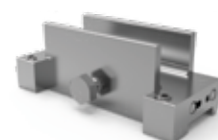
End cap / Embout	
Code	F85-488**
Length/Longueur	77x130 mm



Adjustable carriage Chariot interieure movable	
Code	F85-585
Weight/Poids	117 gr
Length/Longueur	70 mm



Intermediate fixed carriage Chariot Interieure Fix	
Code	F85-483
Weight/Poids	97 gr
Length/Longueur	70 mm



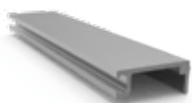
Intermediate movable carriage Chariot interieure movable	
Code	F85-587
Weight/Poids	200 gr
Length/Longueur	100 mm

* Include the fixing bolts/anchors
Boulons et ancrage sont inclus

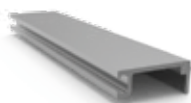
** Includes the adhesive tape Lohman DuploColl 373
Ruban adhesive Lohman DuploColl 373 inclus

L·line SIDE MOUNT

Montage en applique



Base inside cover Cache frontal interieure	
Code	F85-1K61 (10.10.4) (10.10.2)
Weight/Poids	178 gr/m
Length/Longueur	6 m



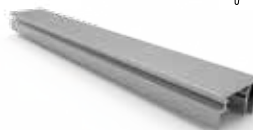
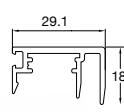
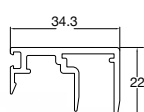
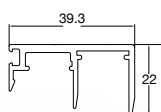
Base inside cover Cache frontal interieure	
Code	F85-1K62 (8.8.4) (8.8.2)
Weight/Poids	194 gr/m
Length/Longueur	6 m



Base inside cover Cache frontal interieure	
Code	F85-1K66 (8.8.2) (8.8.4)
Weight/Poids	447 gr/m
Length/Longueur	6 m



Base inside cover Cache frontal interieure	
Code	F85-1K67 (10.10.2) (10.10.4)
Weight/Poids	425 gr/m
Length/Longueur	6 m



PIN / BROCHE	
Code	F85-481



Outside slot cap / Embout exterieure Ø26	
Code	F85-475

Base external cover for 15 mm panel
Cache frontal exterieure

Code	F85-1K63
Weight/Poids	475 gr/m
Length/Longueur	6 m

Base external cover for 10 mm panel
Cache Frontal Exterieure

Code	F85-1K64
Weight/Poids	460 gr/m
Length/Longueur	6 m

Base external cover for 5 mm panel
Cache Frontal Exterieure

Code	F85-1K65
Weight/Poids	349 gr/m
Length/Longueur	6 m



Intermediate wedge Cale plastique	
Code	F85-484 Ø22 (8.8.4)
	F85-485 Ø25 (8.8.2m)
	F85-486 Ø18 (10.10.4)
	F85-487 Ø20 (10.10.2)
Length Longueur	70 mm



Basic wedge / Cale plastique	
Code	F85-473 • (8.8.4)
	F85-573 • (8.8.2)
	F85-474 • (10.10.4)
	F85-574 • (10.10.2)
Length/Longueur	70 mm



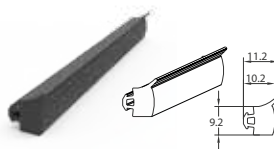
Glass support / Support de verre	
Code	F85-471 • (8.8.4)
	F85-571 • (8.8.2)
Length/Longueur	70 mm



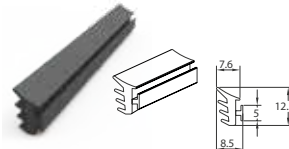
Glass support / Support de verre	
Code	F85-472 • (10.10.4)
	F85-572 • (10.10.2)
Length/ Longueur	70 mm



ALLEN TORX CONCRETE SCREW 10X120 ANCRAGE POUR BÉTON 10X120	
Code	EBM-10120G/2



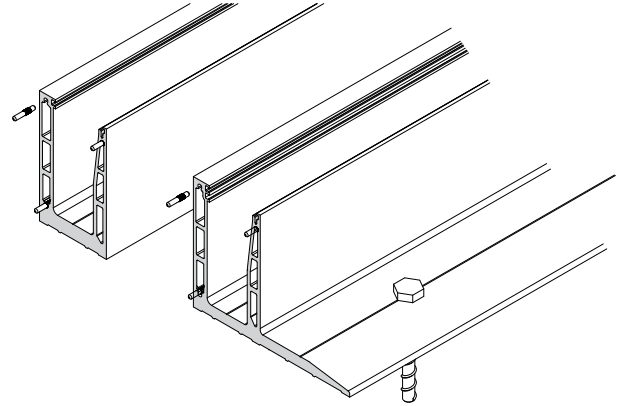
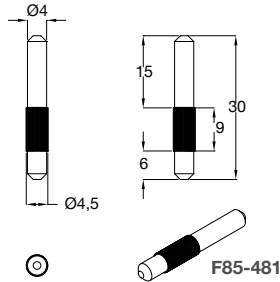
Counter - Balance gasket Joint du verre (embase)	
Code	F85-477
Length/Longueur	100 m
Hardness/Dureté	100 shore



Main gasket/Joint du verre (cache frontal)	
Code	F85-478
Length/Longueur	100 m

Supporting base assembly / Montage des embases

Horizontal alignment pin Accessoire de connexion



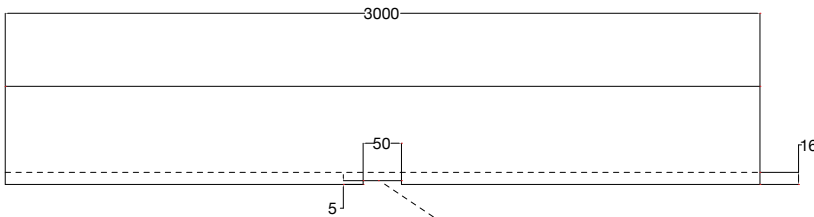
ATTENTION
For structures bigger than 3 m in Length, we have to use horizontal alignment pin

ATTENTION
Pour connecter des longueurs de plus de 3m

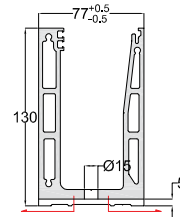
Rain water drain material cut-off for Base profile, in order to ease rain water off our structure.

Chaque profil est prévu d'un trou de drainage.

Base profile, in order to ease rain water off our structure

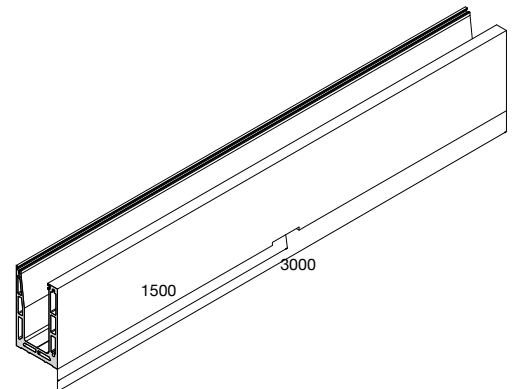
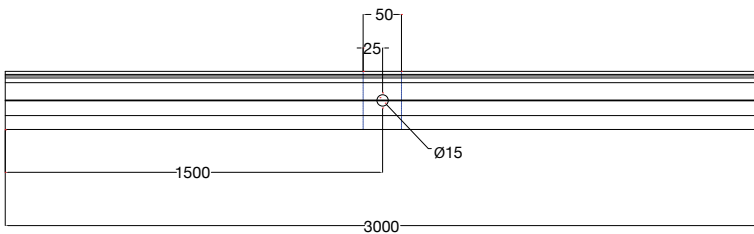


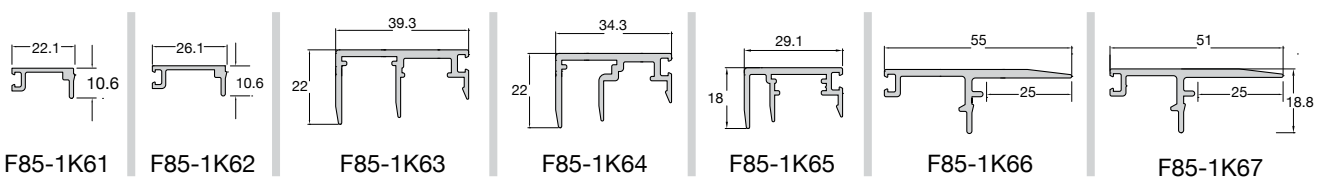
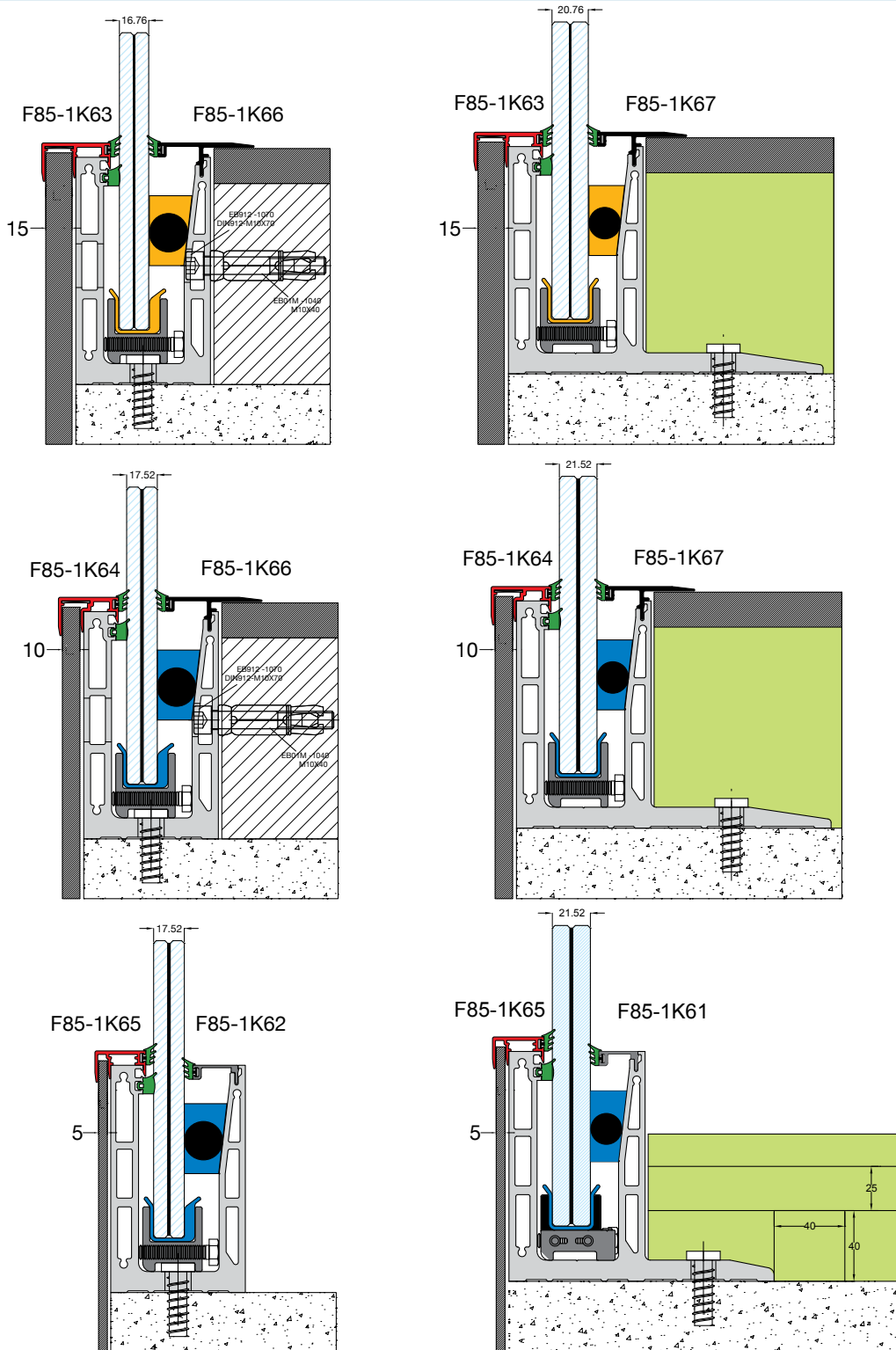
Detail view of rainwater drain
Détail du trou de drainage



F85-1B63

RAIN WATER
EXIT GUTTER
SIDEWAYS
50x5mm





! The above applications apply only to the base profiles F85-1B62, F85-1B63
 Les profilés ci-dessus sont applicable sur les embases F85-1B62, F85-1B63

Slim·lineHD

Heavy Duty



Heavy duty on floor
system
Balustrades pour
zones à trafic dense

The railing system has been tested under uniform static load of maximum 2.3KN/m (a safety factor of 1.5 also included – BS6180). In addition, it has been put to dynamic load impact test using a dummy load of 50kg, which was let free to drop from height of 1.2m. In that way, all types of occupancy comprising domestic and residential activities, offices and work areas, including storage areas, restaurants and bars, areas where people might congregate (in small quantities), retail areas, and inside public areas of banks, building societies and betting shops, have been covered as per Norm EN BS 6180

Impeccable glass railing base profile's architectural design, combining topmost materials' mechanical properties, which lead it to become an ideal solution for demanding glass railing use, along with high resistance to considerable weather conditions.



Features:

- Topmost Mechanical properties for safety under static loading
- UDL uniform static loading MAX. 2,3KN/m
- Special type TPE counterbalance gaskets & special Nylon 6-6 plastic glass panel supports
- No use of base profile's cover – Main use of EPDM gap filling gasket
- Usage in domestic and residential activities, offices and work areas, including storage areas, restaurants and bars, areas where people might congregate (in small quantities), retail areas, and inside public areas of banks, building societies and betting shops
- Uniform length for base profile in 3m & 6m, with linear connection via special alignment pins F85-481
- Quite Robust Structure

Le système de garde-corps a été testé sous une charge statique uniforme de maximum 2.3KN/m (un facteur de sécurité de 1,5 également inclus – BS6180). De plus, il a été soumis à un test d'impact de charge dynamique en utilisant une charge fictive de 50 kg d'une hauteur de 1.2 m.

Le Slim Line HD est donc ainsi adapté pour une application en zones résidentielles, professionnelles (bureaux), CRH (cafés, restaurants, hôtels), des zones de rassemblements, des zones commerciales et à l'intérieur des zones publiques. Le Slim Line HD est conforme la norme EN BS 6180

La conception architecturale du profil de base de garde-corps, combinant les propriétés mécaniques et qualité, qui en font une solution idéale pour une utilisation exigeante des garde-corps en verre, ainsi qu'une haute résistance aux conditions météorologiques.

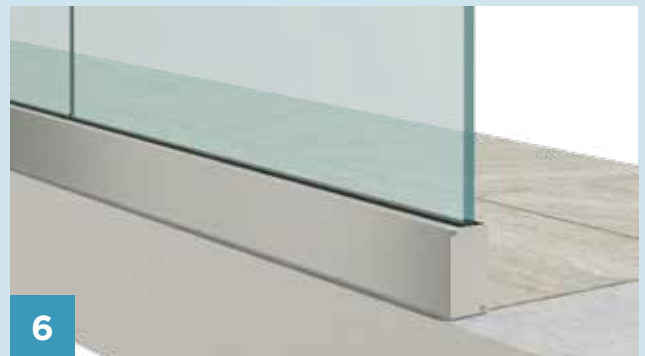
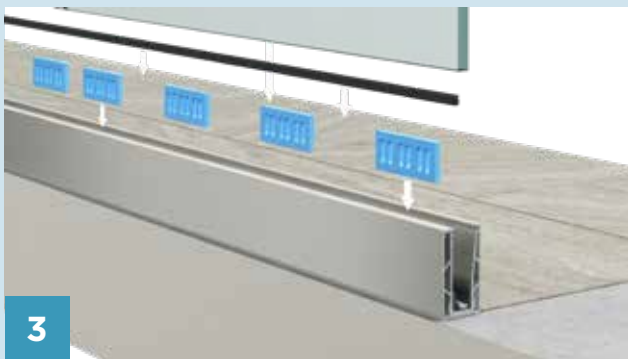
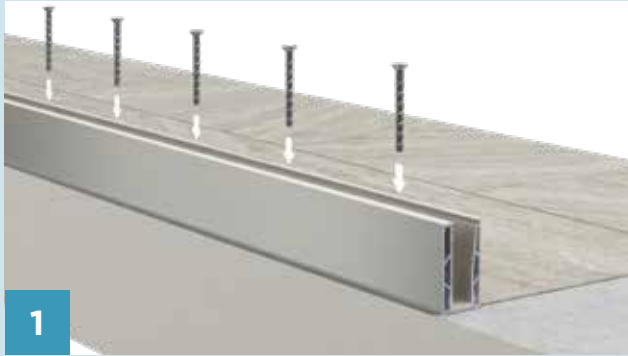
Caractéristiques :

- Propriétés mécaniques les plus élevées pour la sécurité sous charge statique UDL chargement statique uniforme MAX. 2.3 KN/m.
- Joints d'équilibrage en TPE de type spécial et supports de panneau de verre en plastique spécial en nylon 6-6.
- Aucune utilisation du couvercle du profil de base - Utilisation principale du joint de remplissage d'écart en EPDM.
- Utilisation dans des zones résidentielles, professionnelles (bureaux), CRH (cafés, restaurants, hôtels), des zones de rassemblements, des zones commerciales et à l'intérieur des zones publiques.
- Longueur uniforme pour les profils (3 m et 6 m), avec des broches spéciales (F85-481) afin d'assurer un alignement parfait.
- Structure robuste et sécurisée.
- Mise en œuvre facile et rapide

Slim•lineHD

Heavy duty fascia mount system

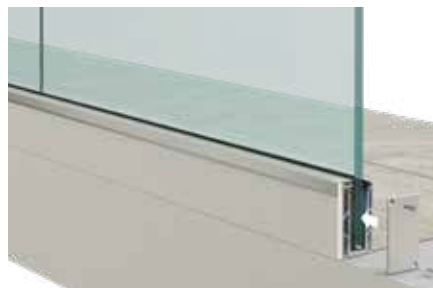
Installation step by step / Assemblage base de support



Optional use of top cover profile / Couverture de profil (option)

The use of this optional profile create a seamless connection to any given structure.

L'usage du couvercle de profil permet de réaliser une jointure parfaite sur tous supports et structures.



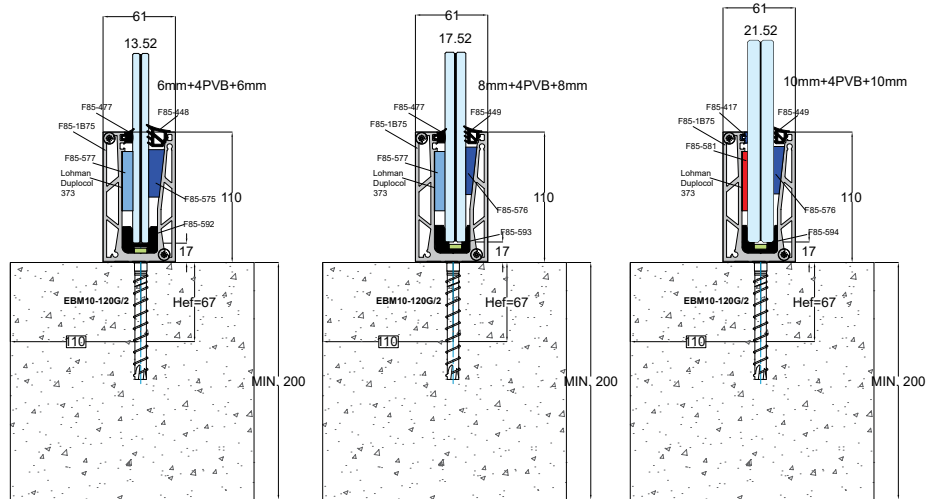
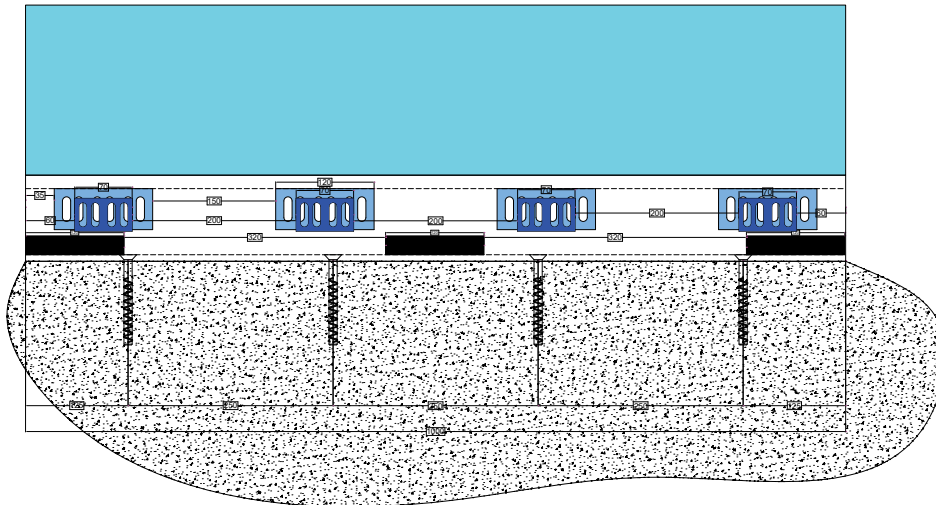
Placing the top cover profile / Placer le couvercle de profil

Slim•lineHD

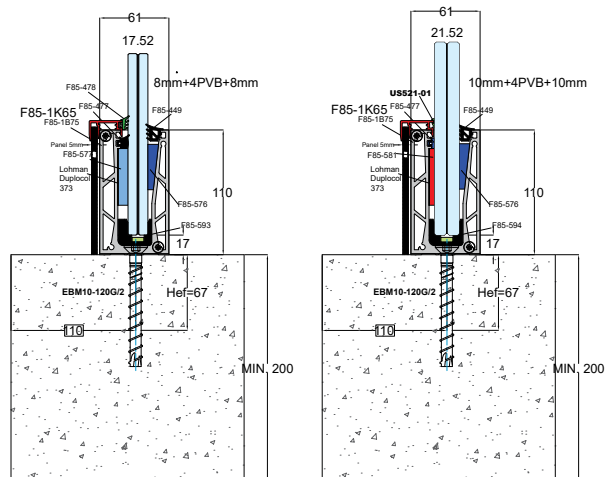
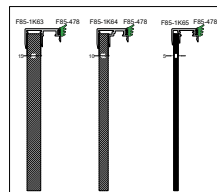
Montage en applique

Supporting bases / Assemblage base de support

(SHD) SLIM LINE Heavy Duty Assembly 1m (F85-1B75) - CONCRETE SCREW



Optional use of top cover profile / Couvercle de profile (option)

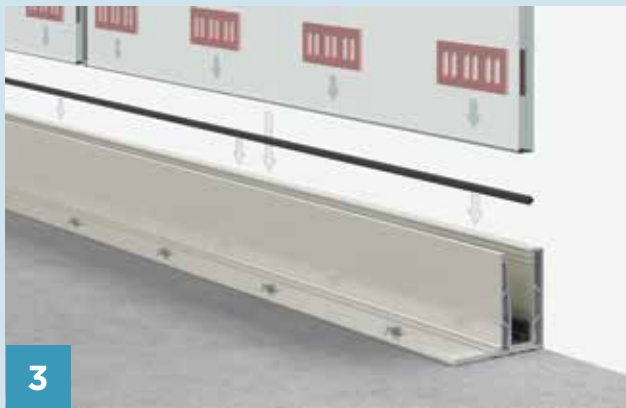


Slim•lineHD

TOP MOUNT with FIN

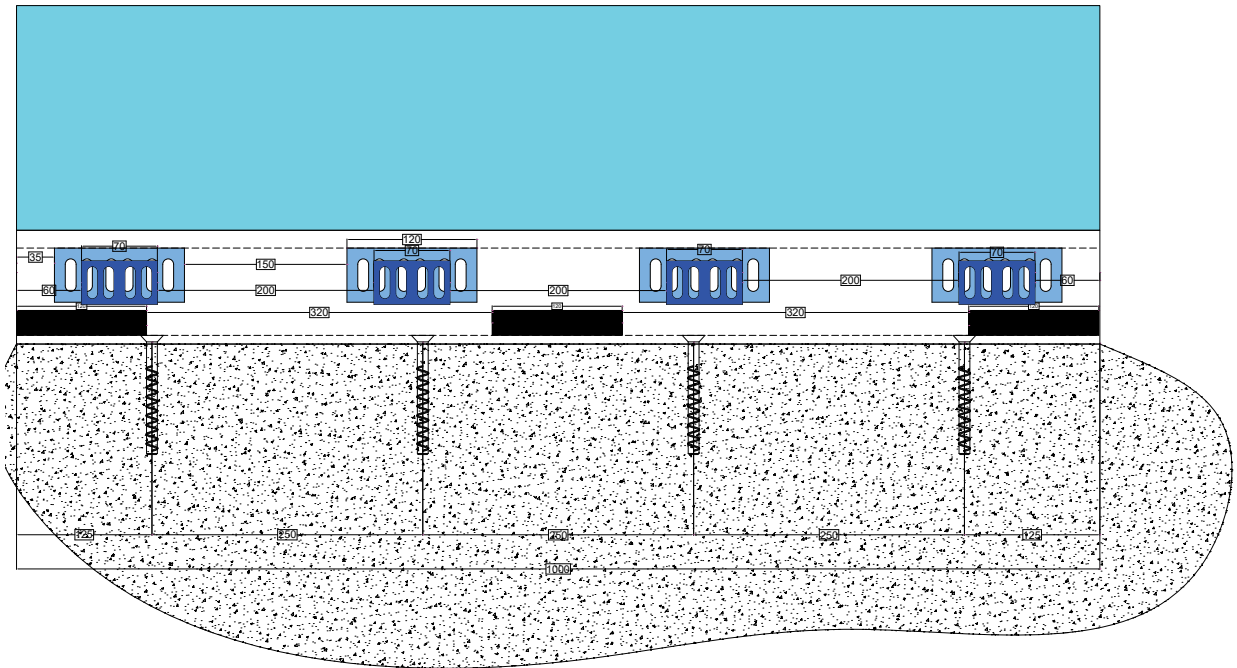
Heavy duty fascia mount system

Installation step by step / Assemblage base de support

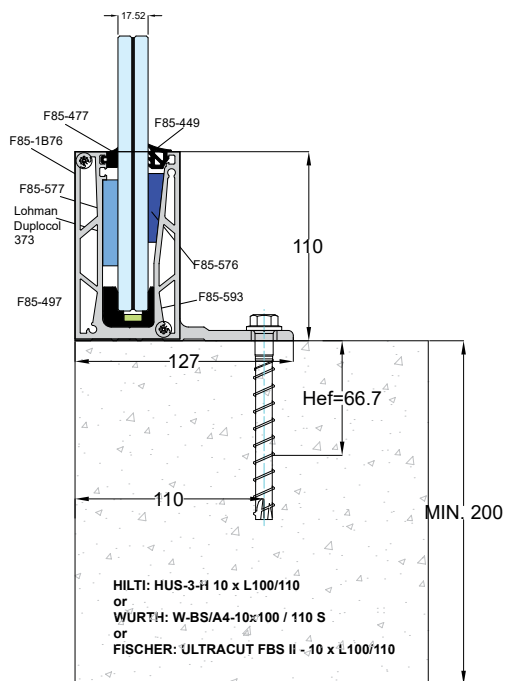


Supporting bases / Assemblage base de support

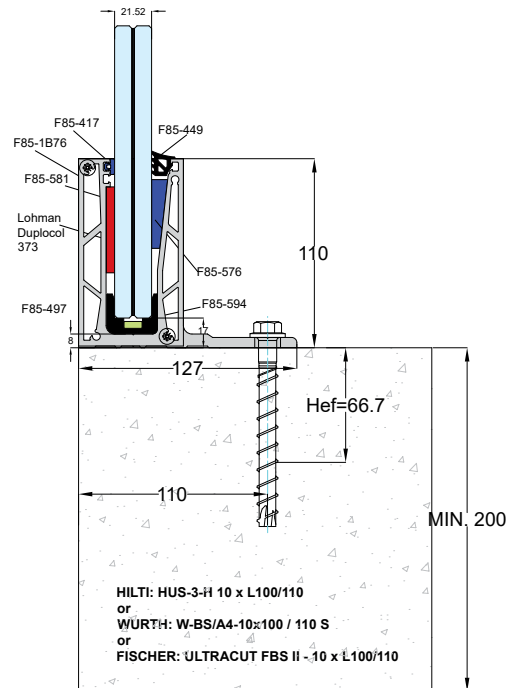
(SHD) SLIM LINE Heavy Duty Assembly 1m (F85-1B75) - CONCRETE SCREW



Fully Tempered Laminated Glass
88.4PVB= 17.52mm



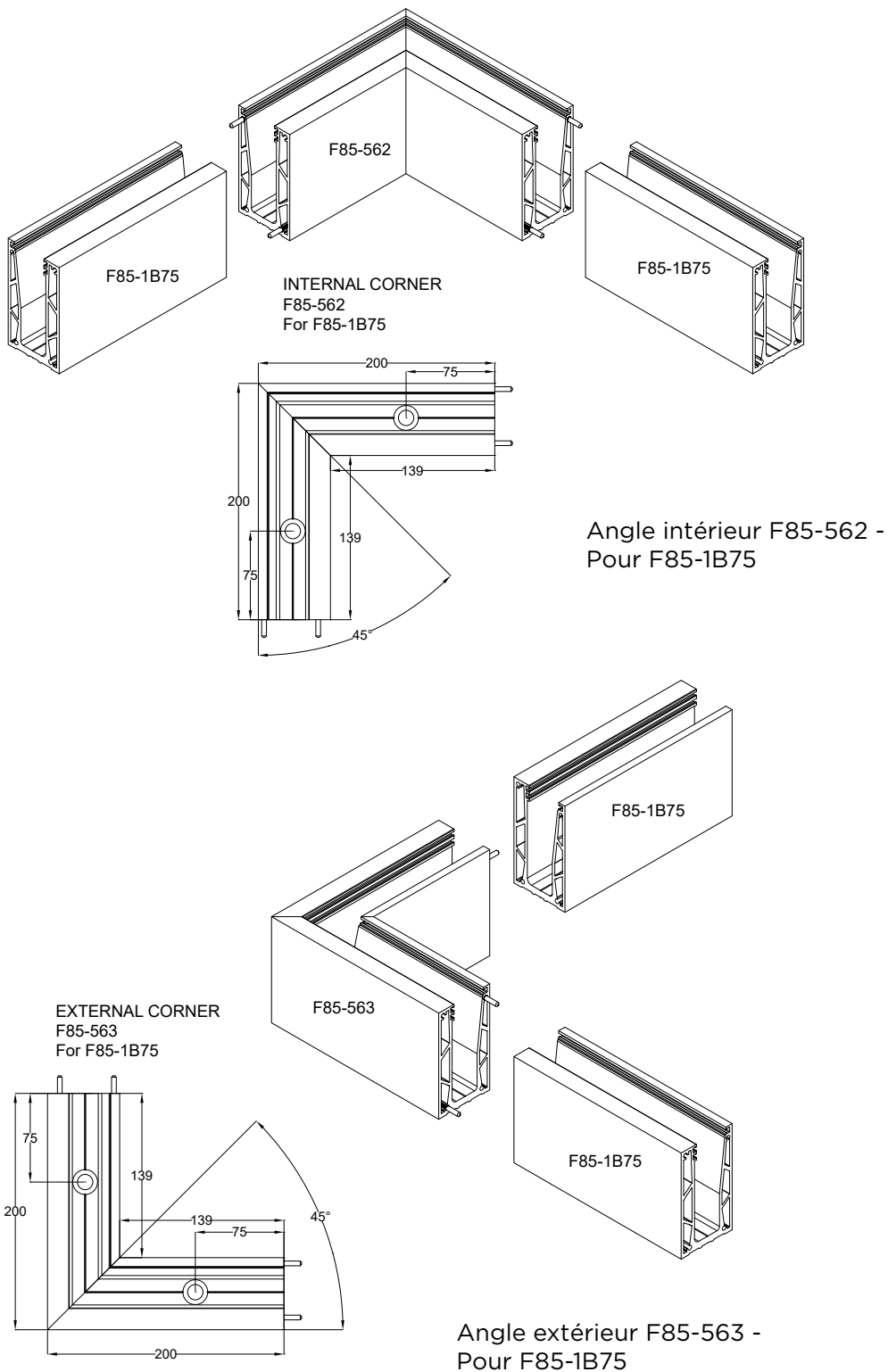
Fully Tempered Laminated Glass
1010.4PVB= 21.52mm

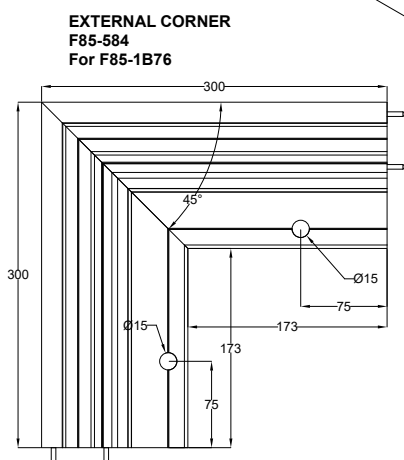
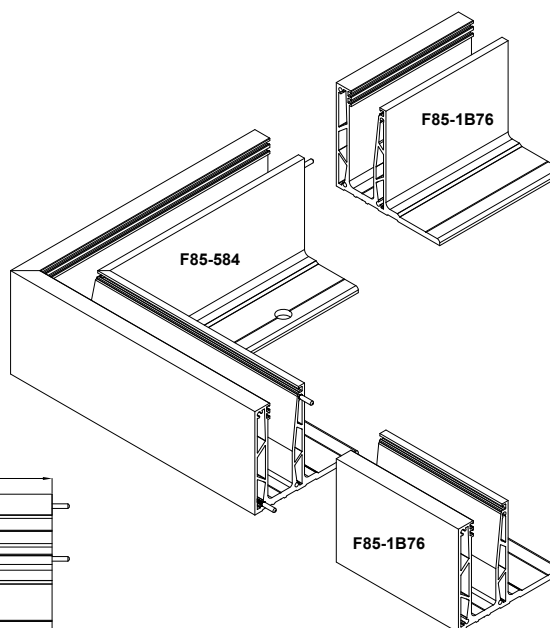
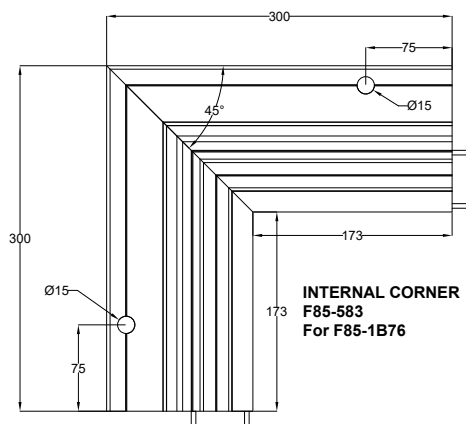
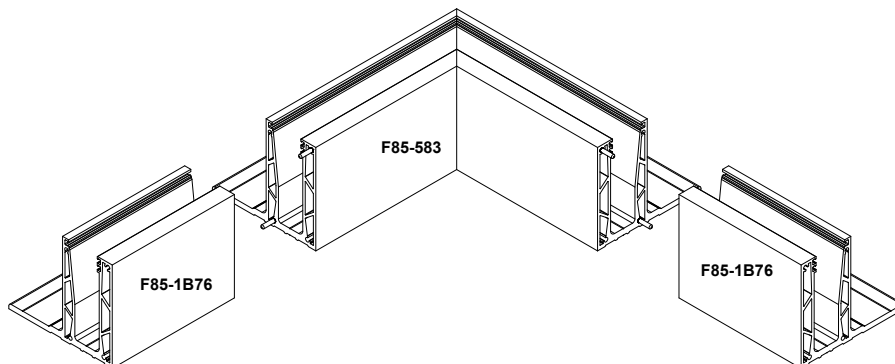


Slim•lineHD

Heavy duty fascia mount system

Shoe base installation / Installation des embases



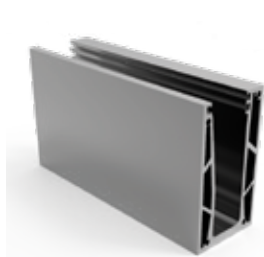


Slim•lineHD

Heavy duty fascia mount system

Profiles & accessories / Bases de support et accessoires

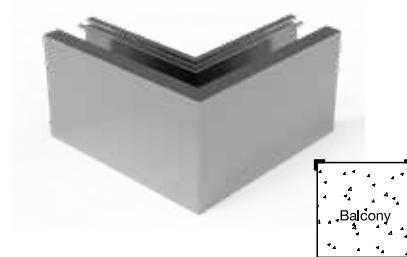
The supporting bases include tightening screws and fixing bolts/anchors.
Tous les bases de supports sont livrées avec la visserie et fixations



BASE PROFILE SLIM LINE EMBASE PROFIL SLIM LINE	
Code	F85-1B75
Weight/Poids	5078 gr/m



INTERNAL CORNER SLIM LINE COUDE INTERIEURE	
Code	F85-562
Length/Longueur	20x20 cm



EXTERNAL CORNER SLIM LINE COUDE EXTERIEURE	
Code	F85-563
Length/Longueur	20x20 cm



BASE PROFILE SLIM LINE EMBASE PROFIL SLIM LINE	
Code	F85-1B76
Weight/Poids	6205 gr/m



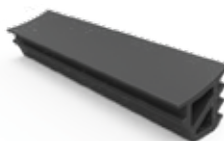
EXTERNAL CORNER SLIM LINE COUDE EXTERIEURE	
Code	F85-584
Length/Longueur	30x30 cm



INTERNAL CORNER SLIM LINE COUDE INTERIEURE	
Code	F85-583
Length/Longueur	30x30 cm



COUNTER-BALANCE GASKET JOINT DE VERRE (EMBASE)	
Code	F85-417 (10.10.4)
Material	PVC



GASKET FOR BASE JOINT POUR VERRE	
Code	F85-448 (6.6.4)
	F85-449 (8.8.4, 10.10.4)
Material	EPDM



COUNTER-BALANCE GASKET JOINT DE VERRE (EMBASE)	
Code	F85-477 (8.8.4)
Material	PVC
Length/Longueur	100 m
Hardness/Dureté	100 shore

Slim•lineHD

Montage en applique



END CAP FOR TYPE SLIM LINE
EMBOUIT DE EMBASE TYPE SLIM LINE

Code **F85-497**



BASIC WEDGE
CALE PLASTIQUE L70mm

Code **F85-575** (6.6.4)
F85-576 (8.8.4,
10.10.4)



COUNTER-BALANCE WEDGE PVC
JOINT DE VERRE PVC

Code **F85-577** (6.6.4, 8.8.4)



COUNTER-BALANCE WEDGE PVC
JOINT DE VERRE PVC

Code **F85-581** (10.10.4)



PLASTIC GLASS SUPPORT
SUPPORT DE VERRE PLASTIQUE

Code **F85-592** (6.6.4)
F85-593 (8.8.4)

Material **PVC**



PLASTIC GLASS SUPPORT
SUPPORT DE VERRE PLASTIQUE

Code **F85-594** (10.10.4)

Material **PVC**



PIN / BROCHE

Code **F85-481**

Material **Inox 304**



ALLEN TORX CONCRETE SCREW 10X120
ANCRAGE POUR BÉTON 10X120

Code **EBM-10120G/2**



Concrete Screw Ø12-110

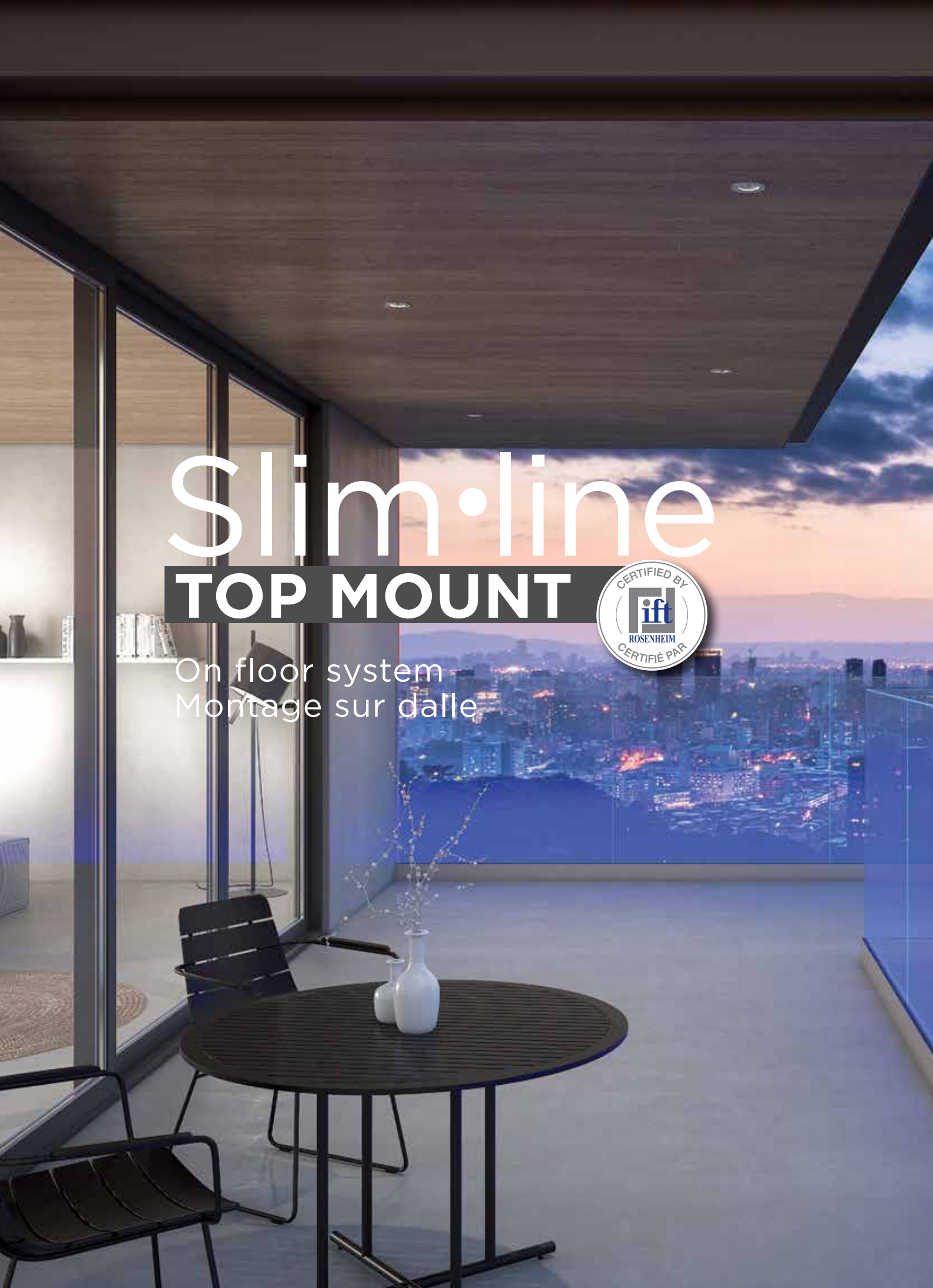
Code **EBM12-110**

Slim·line

TOP MOUNT



On floor system
Montage sur dalle



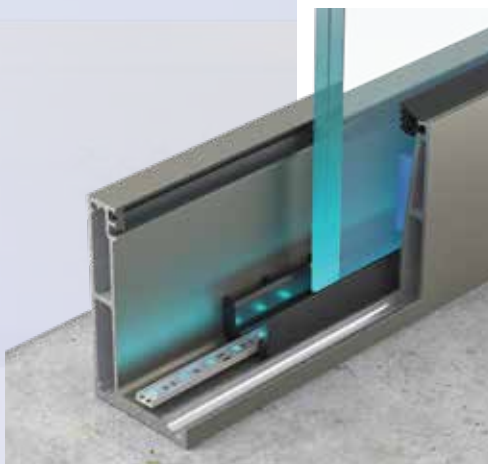
Crystal Line edition, Slim Line TOP MOUNT, is so slim, elegant and durable, with the best quality - to price relation, a glass railing could never be more attractive. Thanks to the excellent engineering, you save time and frustration with this premium performance, your projects become a statement. Designed for light to medium use (≤ 1 KN/m) is suited both for indoor and outdoor applications. Ideal for private residences, offices, shops and more.

Features and benefits

- Top mount solution, on-floor installation.
- One-piece 3 m and 6 m base shoe with pre-drilled profile.
- Specially hardened rubber seals support and protect the glass panel.
- Use of “wedge type” gasket to cover the inner gap.
- Compatible with tempered laminated glass and membrane types 5.5.4PVB, 6.6.4PVB, 8.8.4PVB and 10.10.4PVB
- Integrated drainage system.
- Max. construction height up to 1.20 m.
- Cap rails and handrails available in various sizes and shapes.
- Wide selection of shades.
- Elegant slim design.
- High performance and durability.
- Cost-effective solution.
- Quick and easy installation.

The optional LED Light

The optional use of the hidden LED light system creates a trendsetting scenery which reinterprets the meaning of luxury to exciting effect.



L'édition Crystal Line, Slim Line TOP MOUNT, est si mince, élégante et durable, avec le meilleur rapport qualité - prix, qu'une balustrade en verre ne pourrait jamais être plus attrayante. Grâce à une excellente ingénierie, sauvant du temps et de la frustration avec cette performance premium, vos projets deviennent une déclaration. Conçu pour une utilisation légère à moyenne (≤ 1 KN / m), il convient aux appositions intérieures et extérieures. Idéal pour les résidences privées, bureaux, magasins et autres.

Caractéristiques et avantages

- Solution pose sur dalle, installation top Mount.
- Embase monobloc de 3 m et 6 m avec profil pré-percé.
- Des joints en caoutchouc spécialement durcis soutiennent et protègent le panneau de verre.
- Utilisation d'un joint de type “cale” pour couvrir l'espace intérieur.
- Compatible avec le verre feuilleté trempé et les types de membranes 5.5.4PVB, 6.6.4PVB, 8.8.4PVB et 10.10.4PVB.
- Système de drainage intégré.
- Max. hauteur de construction jusqu'à 1.20 m.
- Rails et mains courantes disponibles dans différentes tailles et formes.
- Large choix de nuances.
- Design mince et élégant.
- Haute performance et durabilité.
- Solution rentable.
- Installation rapide et facile.

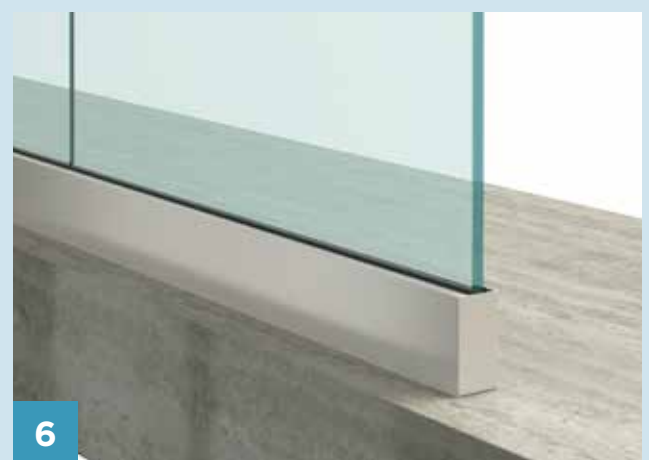
La lumière LED optionnelle


L'utilisation facultative du système de lumière à LED dissimulé crée un paysage avant-gardiste qui réinterprète la signification du luxe avec un effet excitant.

Slim•line

On floor system

Installation step by step / Assemblage base de support



 Adhesive tape Lohman DuploColl 373 thickness: 0.33 mm, width: 15 mm (F85-476)
A coller avec un adhésif pour aluminium type Lohman DuploColl 373 (F85-476)

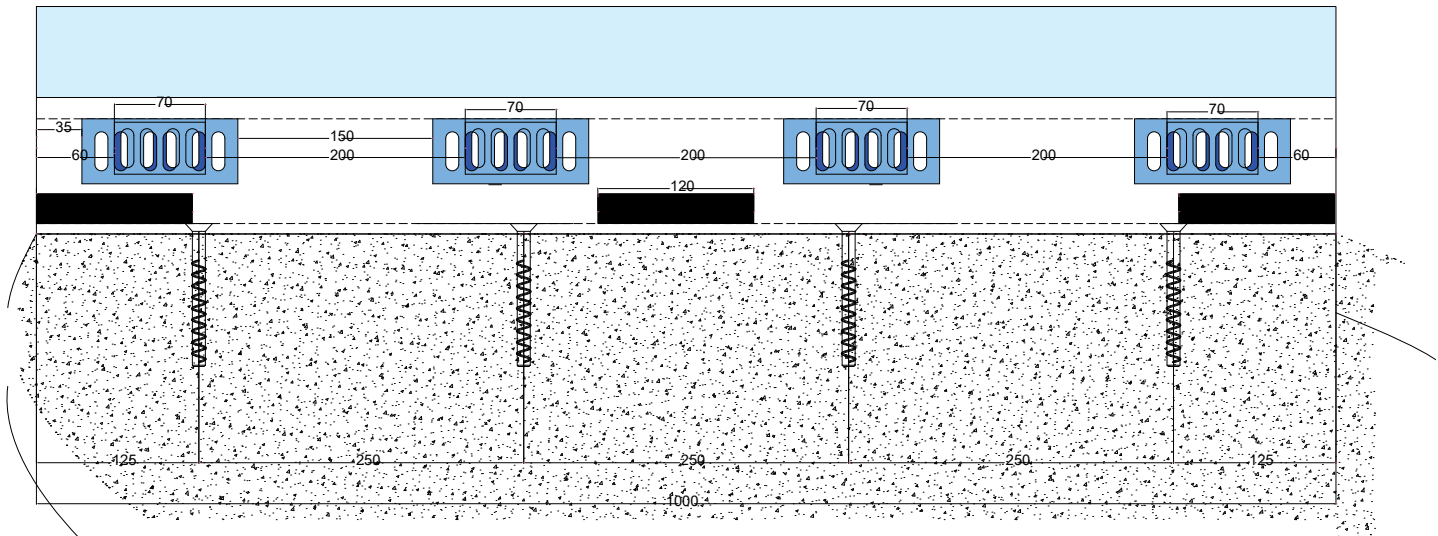
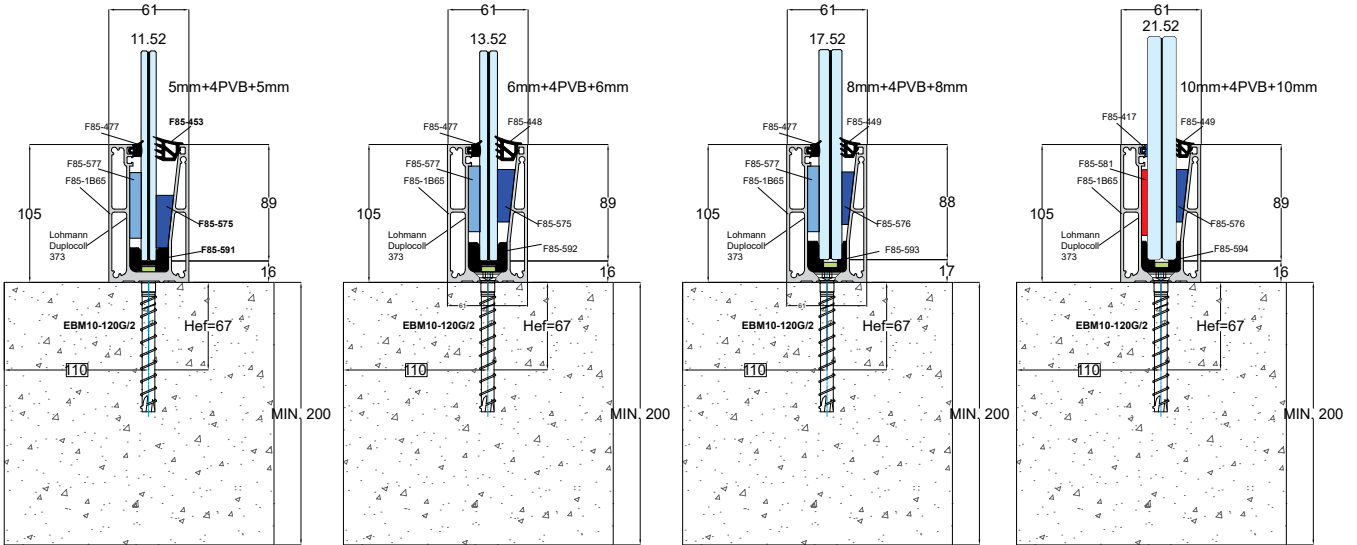
Slim•line TOP MOUNT

Montage sur dalle

Sections

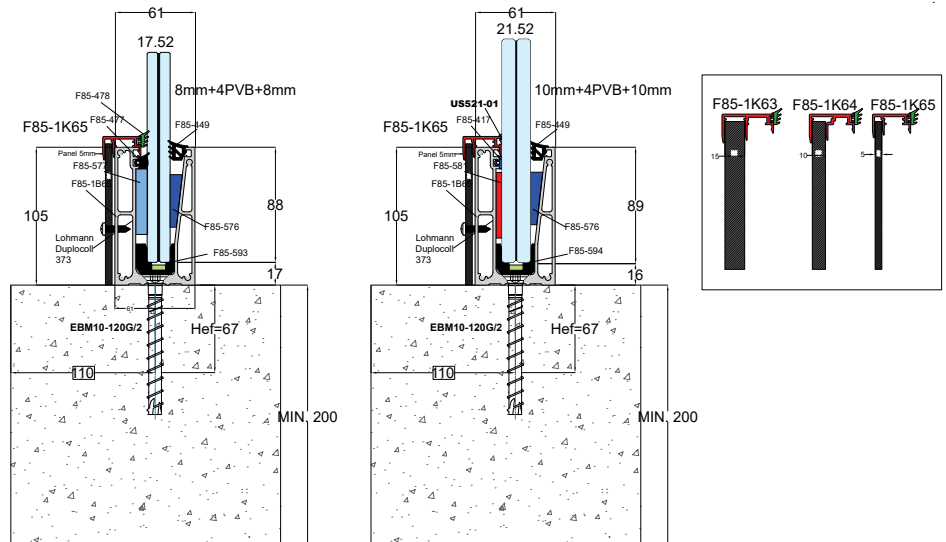
Optional use of counter-balance wedges for increased load resistance. Counter-balance wedges F85-577 and F85-581 are compatible with every type of the system's glazing, especially for types 8.8.4 and 10.10.4 where increased load resistance is required.

Utilisation facultative de cales de contreponds pour une résistance accrue à la charge. Les cales de contreponds F85-577 et F85-581 sont compatibles avec tous les types de vitrages, en particulier pour les types 8.8.4 et 10.10.4 où une résistance accrue à la charge est requise.



Optional use of top cover profile / Couvercle de profil (option)

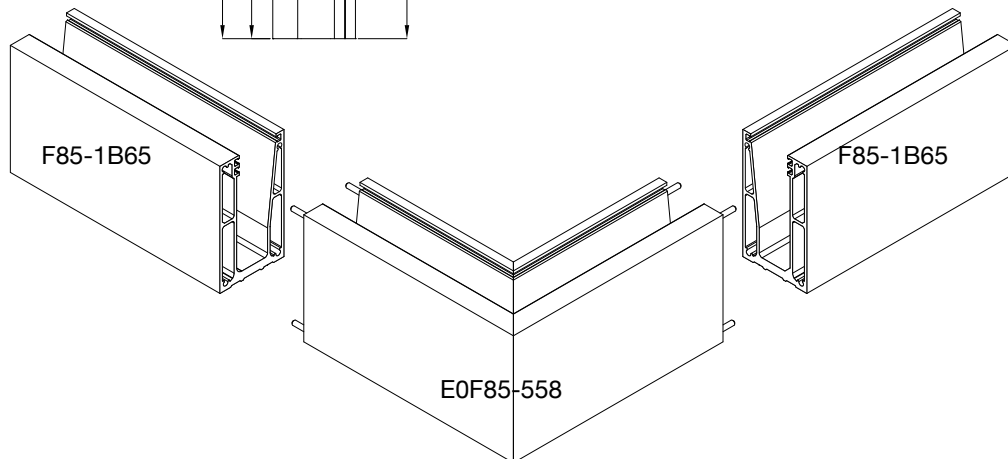
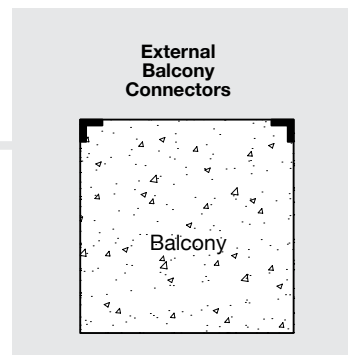
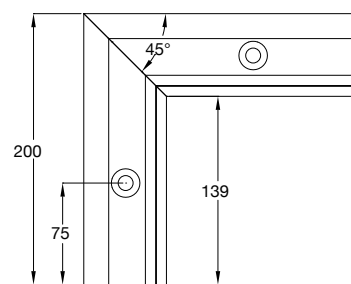
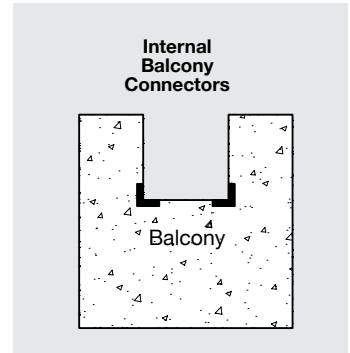
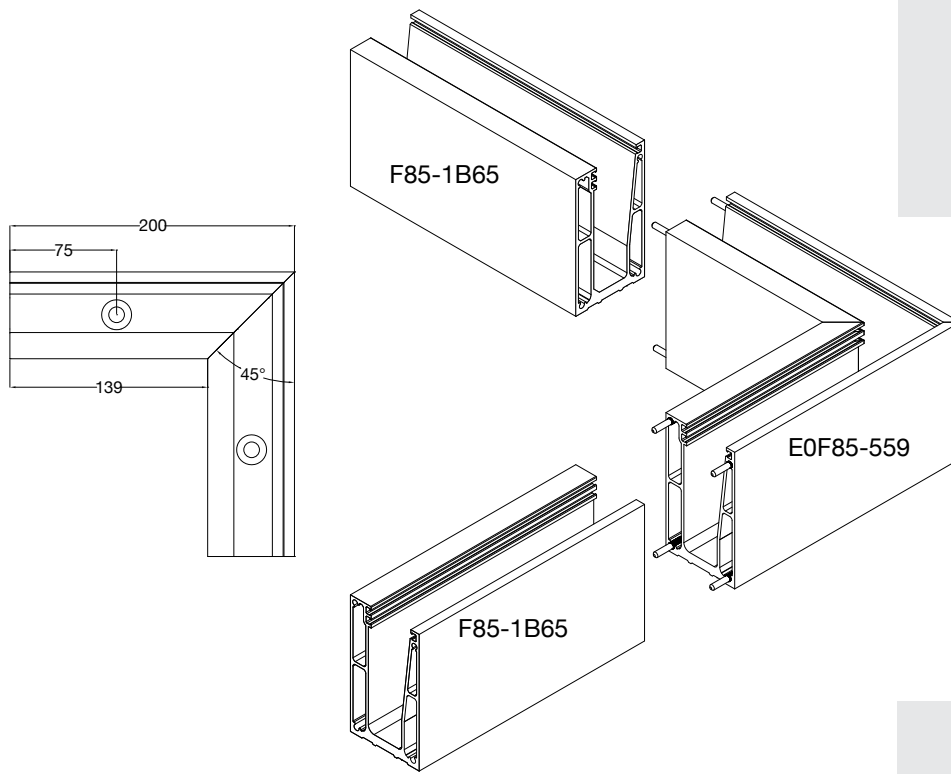
The use of this optional profile creates a seamless connection to any given structure. L'usage du couvercle de profil permet de réaliser une jointure parfaite sur tous supports et structures.



Slim•line

On floor system

Connection corners / Coins de connexion

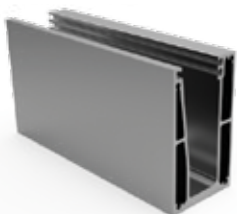


Slim•line

Montage sur dalle

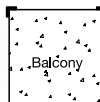
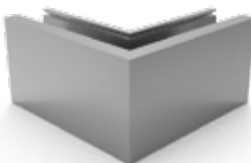
Profiles & accessories / Profiles & accessoires

The supporting bases include tightening screws and fixing bolts/anchors.
Boulons et ancrages sont tous inclus avec les embases.



BASE PROFILE SLIM LINE
EMBASE PROFIL SLIM LINE

Code	F85-1B65T1 (6m) F85-1B65T2 (3m)
Weight/Poids	3.837 gr/m



EXTERNAL CORNER SLIM LINE
COUDE EXTERIEURE

Code	F85-558
Length/Longueur	20x20 cm



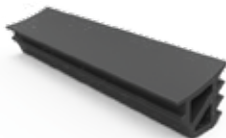
INTERNAL CORNER SLIM LINE
COUDE INTERIEURE

Code	F85-559
Material	Alum.
Length/Longueur	20x20 cm



COUNTER-BALANCE GASKET
JOINT DE VERRE (EMBASE)

Code	F85-417 (10.10.4)
Material	PVC



GASKET FOR BASE
JOINT POUR VERRE

Code	F85-448 (6.6.4) F85-449 (8.8.4, 10.10.4)
Material	EPDM



GASKET FOR BASE
JOINT POUR VERRE

Code	F85-453 (5.5.4)
Material	EPDM



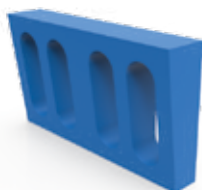
COUNTER-BALANCE GASKET
JOINT DE VERRE (EMBASE)

Code	F85-477 (5.5.4, 6.6.4, 8.8.4)
Material	PVC
Length/Longueur	100 m
Hardness/Dureté	100 shore



END CAP FOR TYPE SLIM LINE
EMBOUT DE EMBASE TYPE SLIM LINE

Code	F85-495
------	----------------



BASIC WEDGE
CALE PLASTIQUE L70mm

Code	F85-575 (5.5.4, 6.6.4) F85-576 (8.8.4, 10.10.4)
------	--



COUNTER-BALANCE WEDGE PVC
JOINT DE VERRE PVC

Code	F85-577 (5.5.4, 6.6.4, 8.8.4)
------	--------------------------------------



COUNTER-BALANCE WEDGE PVC
JOINT DE VERRE PVC

Code	F85-581 (10.10.4)
------	--------------------------



SCREW DIN 7991 M10x70 Inox
VIS DIN 7991 M10x70 Inox

Code	D7991-00231
------	--------------------



EXPANSION PLUG
COQUE D' EXPANSION

Code	EB01M-1060
------	-------------------



PLASTIC GLASS SUPPORT
SUPPORT DE VERRE PLASTIQUE

Code	F85-591 (5.5.4) F85-592 (6.6.4) F85-593 (8.8.4)
Material	PVC



PLASTIC GLASS SUPPORT
SUPPORT DE VERRE PLASTIQUE

Code	F85-594 (10.10.4)
Material	PVC



PIN / BROCHE

Code	F85-481
Material	Inox 304



ALLEN TORX CONCRETE SCREW 10X120
ANCRAGE POUR BÉTON 10X120

Code	EBM-10120G/2
------	---------------------

Slim·line

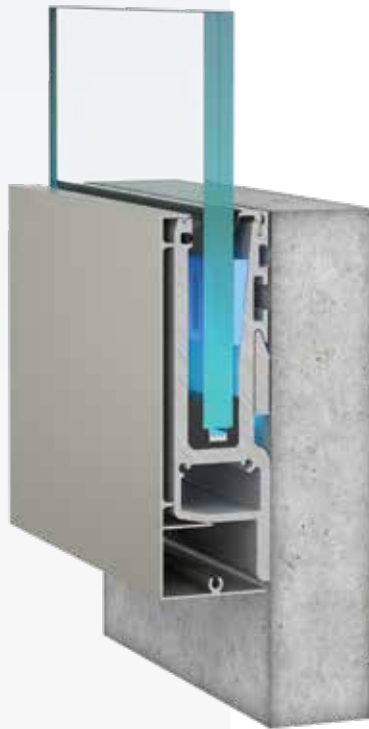
SIDE MOUNT

Fascia mount system
Montage en applique

Slim Line SIDE MOUNT is the ultimate answer to the demand for contemporary and stylish glass railings. It combines safety and transparency at the top level with high quality hardware, affordable for projects of all types. Ideal for balconies and stairwells where you want to make use of the full space.

Features and benefits

- Side mount solution, fascia mount installation.
- One-piece 3 m and 6 m base shoe with pre-drilled profile.
- Specially hardened rubber seals support and protect the glass panel.
- Use of “wedge type” gasket to cover the inner gap.
- Compatible with tempered laminated glass and membrane types 5.5.4PVB, 6.6.4PVB, 8.8.4PVB and 10.10.4PVB
- Max. construction height up to 1.20 m.
- Cap rails and handrails available in various sizes and shapes.
- Wide selection of shades.
- Elegant slim design.
- High performance and durability.
- Cost-effective solution.
- Quick and easy installation.



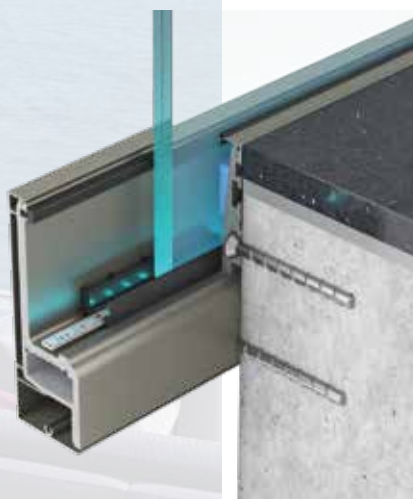
Slim Line SIDE MOUNT est la réponse ultime à la demande de balustrades en verre contemporaines et élégantes. Il combine sécurité et transparence au plus haut niveau avec du matériel de haute qualité, abordable pour des projets de tous types. Idéal pour les balcons et les cages d'escalier où vous souhaitez utiliser tout l'espace.

Caractéristiques et avantages

- Solution de montage sur nez de dalle, installation à montage latéral.
- Embase monobloc de 3 m et 6 m avec profil pré-percé.
- Des joints en caoutchouc spécialement durcis soutiennent et protègent le panneau de verre.
- Utilisation d'un joint de type “cale” pour couvrir l'espace intérieur.
- Compatible avec le verre feuilleté trempé et les types de membranes 5.5.4PVB, 6.6.4PVB, 8.8.4PVB et 10.10.4PVB.
- Hauteur maximum de construction jusqu'à 1,20 m.
- Rails et mains courantes disponibles dans différentes tailles et formes.
- Large choix de nuances.
- Design mince et élégant.
- Haute performance et durabilité.
- Solution rentable.
- Installation rapide et facile.

The optional extras

There are two options for making the new Slim line Side mount glass railing more iconic. The optional use of the hidden LED light system for the creation of a visual highlight and the top cover profile for a seamless connection to any given structure.



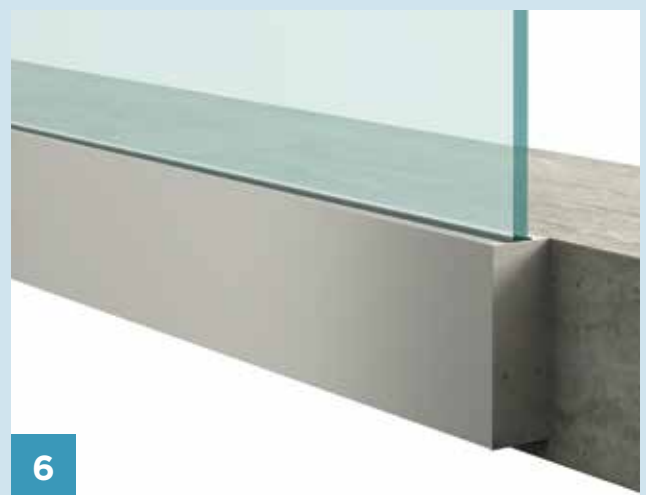
Les extras optionnels

Il existe deux options pour rendre le Slim Line à montage en applique plus emblématique. L'utilisation facultative du système d'éclairage à LED caché pour la création d'une mise en évidence visuelle et du profilé de capot supérieur pour une connexion transparente à une structure donnée.

Slim•line

Fascia mount system

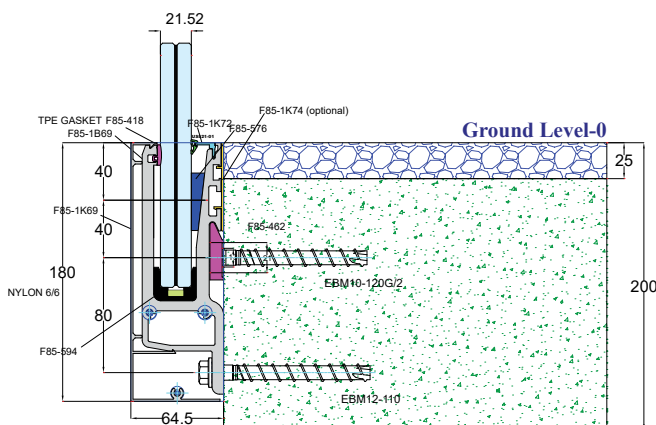
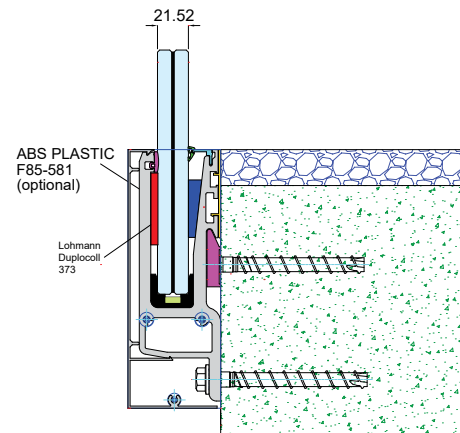
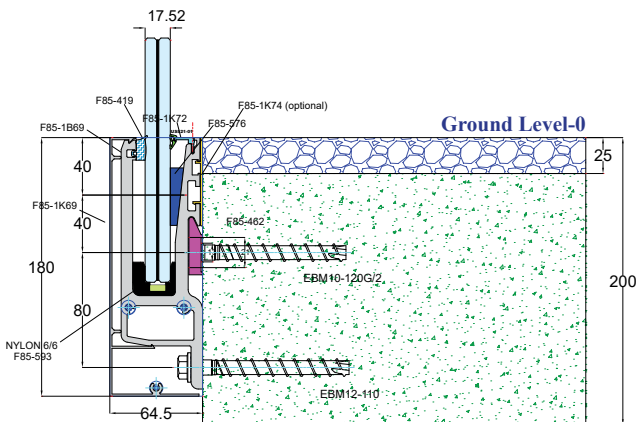
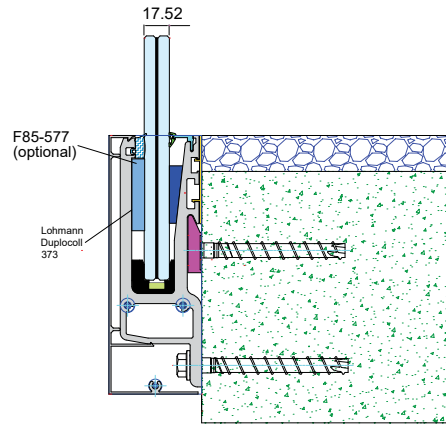
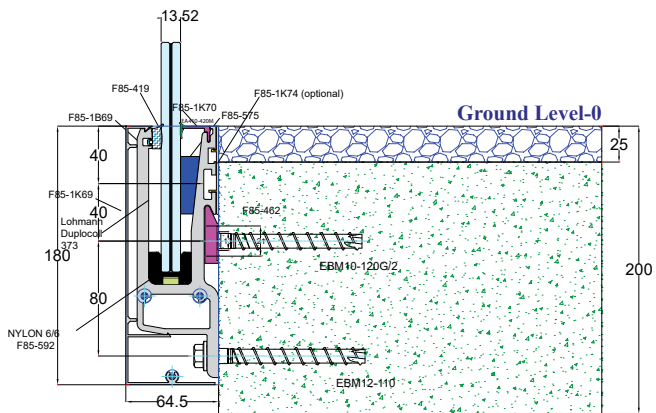
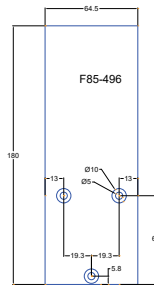
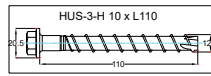
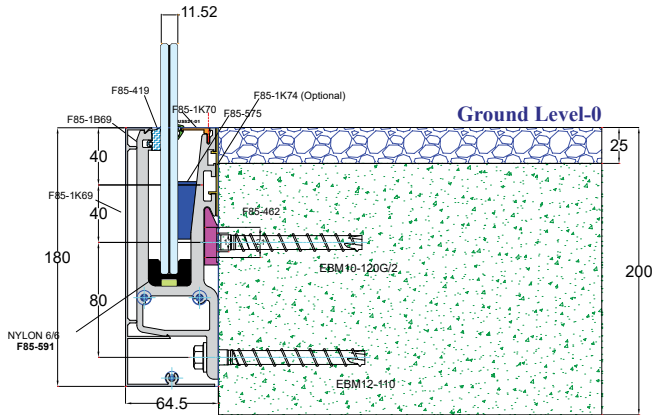
Installation step by step / Assemblage base de support



Slim•line

Montage en applique

SIDE MOUNT



Optional use of counter-balance wedges for increased load resistance.

Counter-balance wedges F85-577 and F85-581 are compatible with every type of the system's glazing, especially for types 8.8.4 and 10.10.4 where increased load resistance is required.

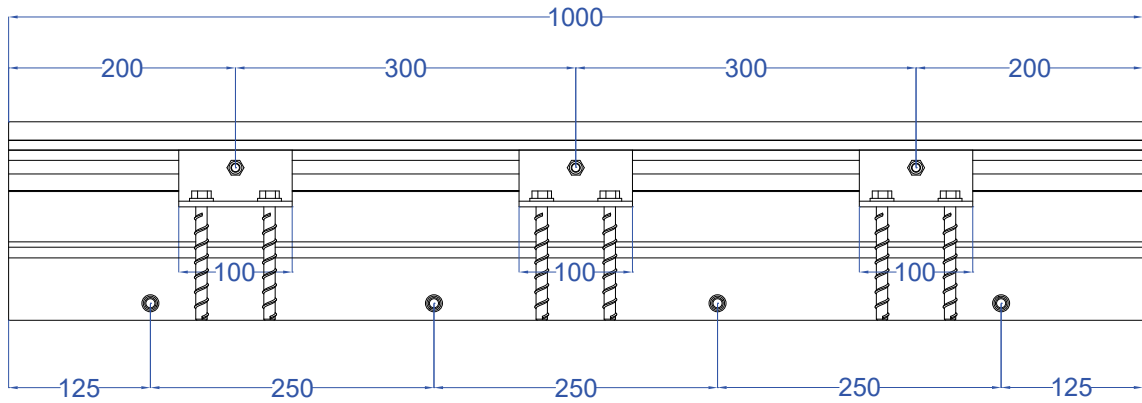
Utilisation facultative de cales de contreponds pour une résistance accrue à la charge.

Les cales de contreponds F85-577 et F85-581 sont compatibles avec tous les types de vitrages, en particulier pour les types 8.8.4 et 10.10.4 où une résistance accrue à la charge est requise.

Slim•line

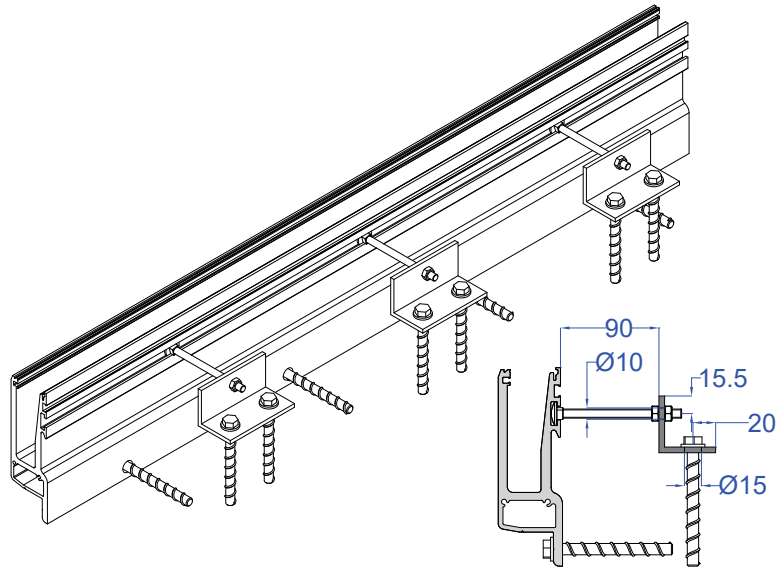
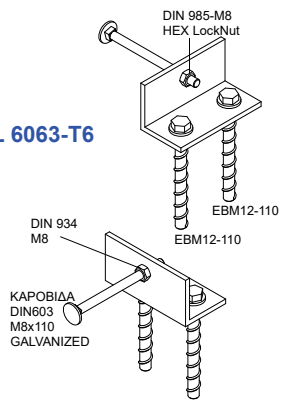
Fascia mount system

Shoe base installation / Installation des embases

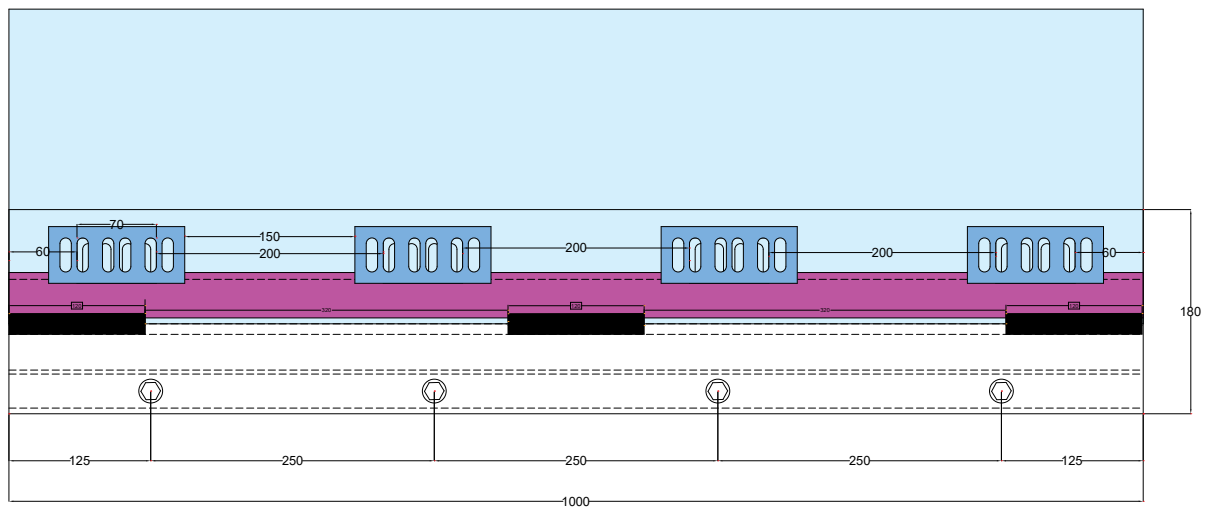


(MINIMUM 3-Parts)

AL 6063-T6

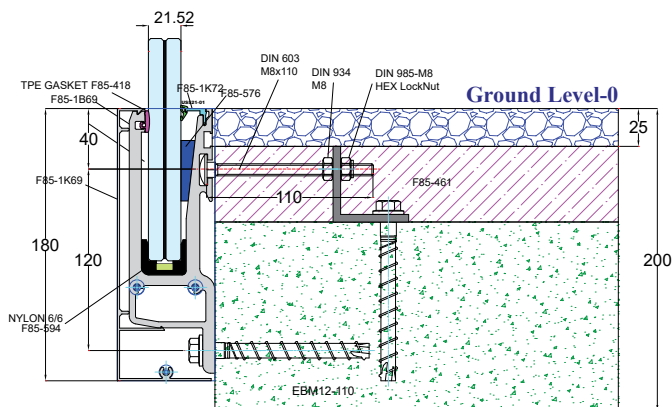
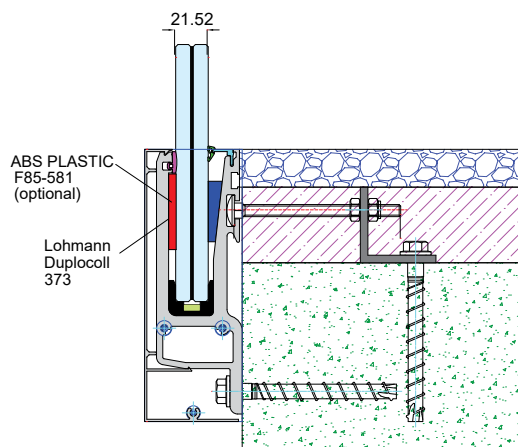
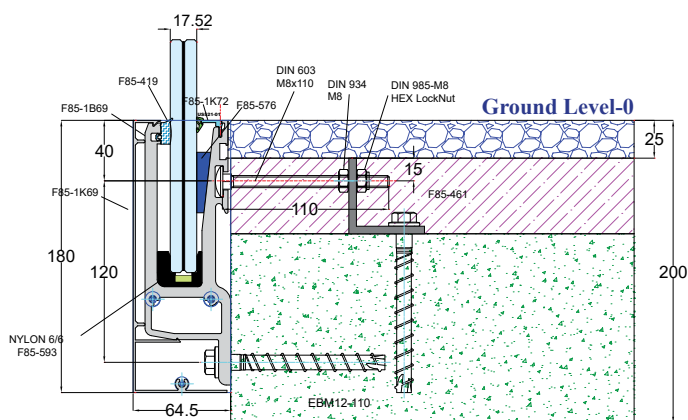
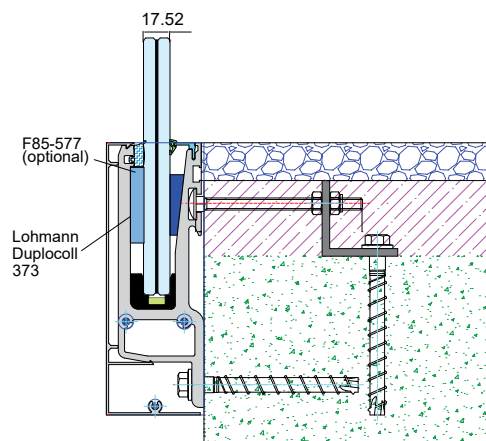
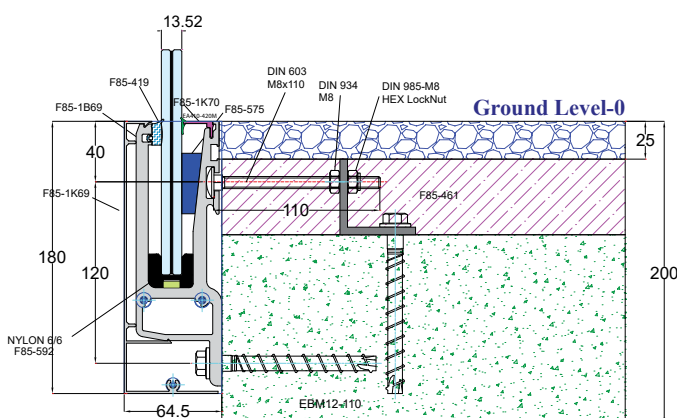
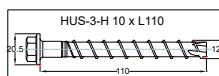
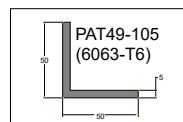
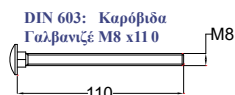
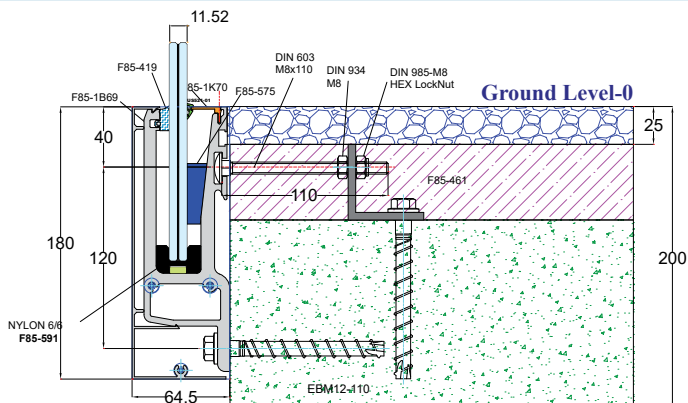


Max. Balustrade Height from Ground Level-0 -> 1200mm



Slim•line

Montage en applique



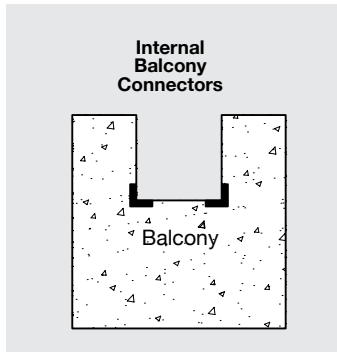
Optional use of counter-balance wedges for increased load resistance.

Counter-balance wedges F85-577 and F85-581 are compatible with every type of the system's glazing, especially for types 8.8.4 and 10.10.4 where increased load resistance is required.

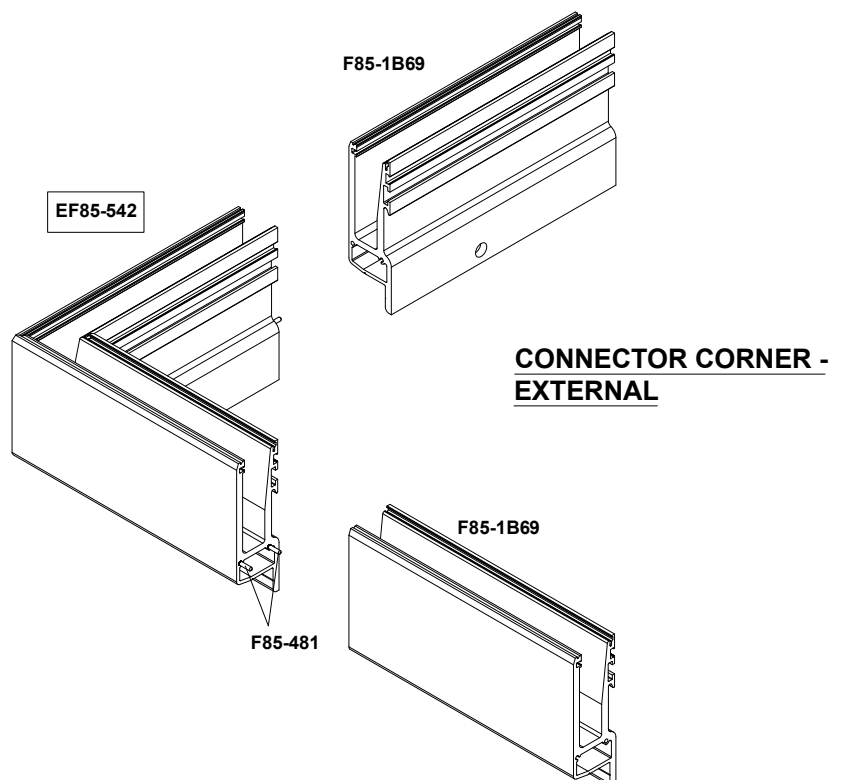
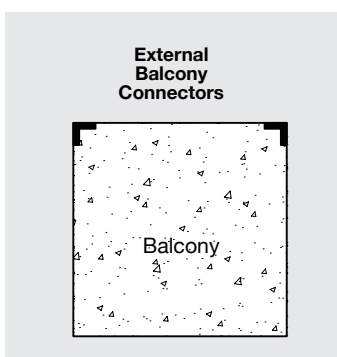
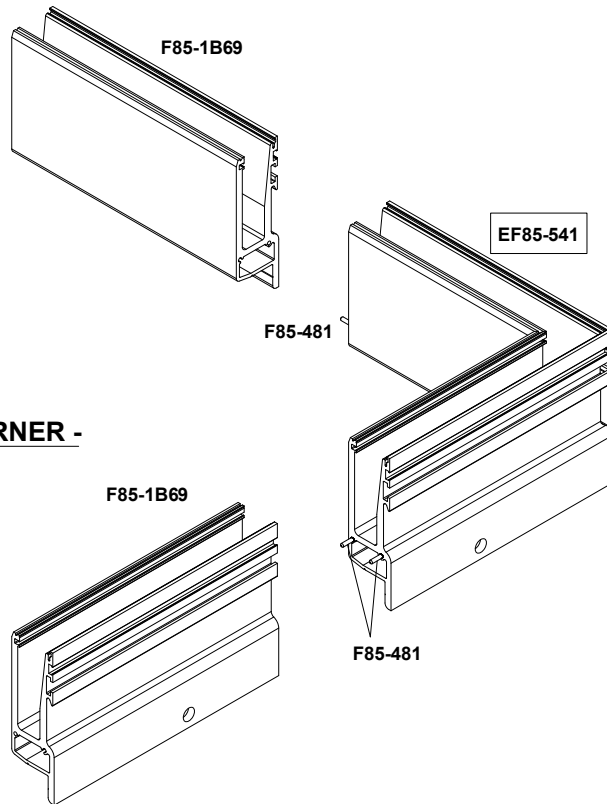
Utilisation facultative de cales de contreponds pour une résistance accrue à la charge.

Les cales de contreponds F85-577 et F85-581 sont compatibles avec tous les types de vitrages, en particulier pour les types 8.8.4 et 10.10.4 où une résistance accrue à la charge est requise.

Shoe base installation / Installation des embases



CONNECTOR CORNER - INTERNAL

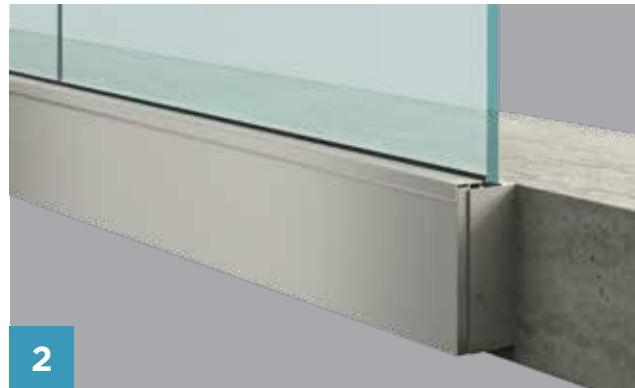
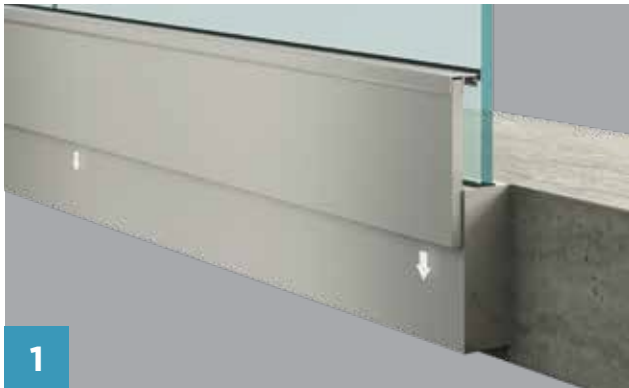


Slim•line

Montage en applique

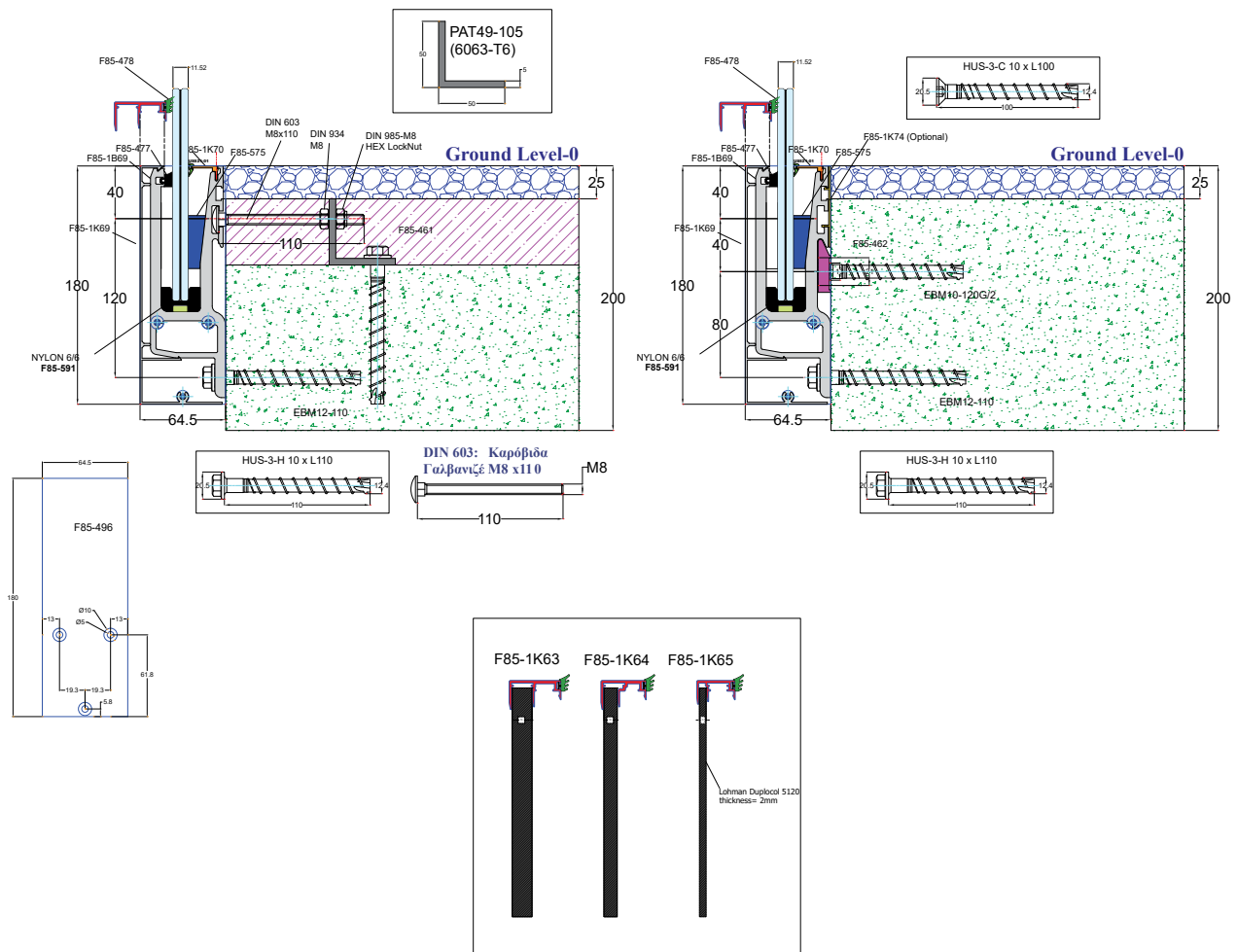
Optional use of top cover profile / Profil de finition supérieur

The use of this optional profile create a seamless connection to any given structure.
L'usage de ce profil optionnel cree une connection continue a toute structure donnee.



Placing the top cover profile / Placement du profil de finition supérieur

Sections





Slim·line

SIDE MOUNT

Stairs application Application d'escaliers

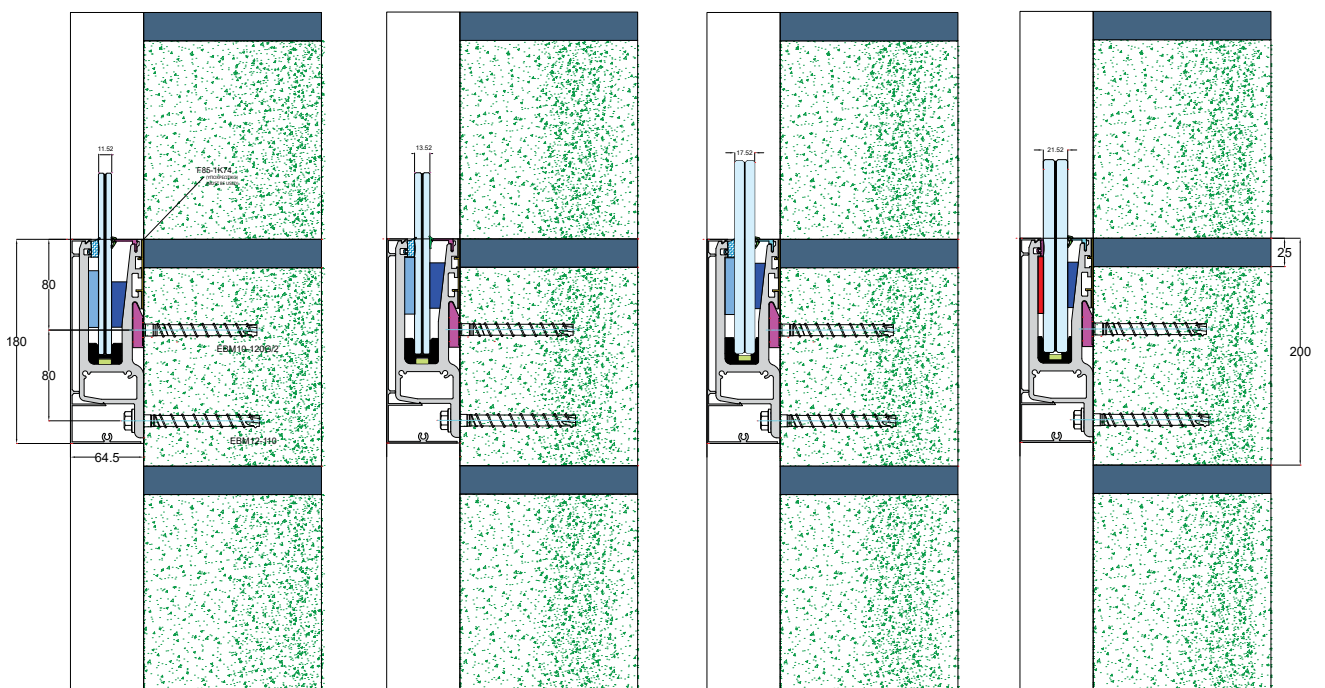
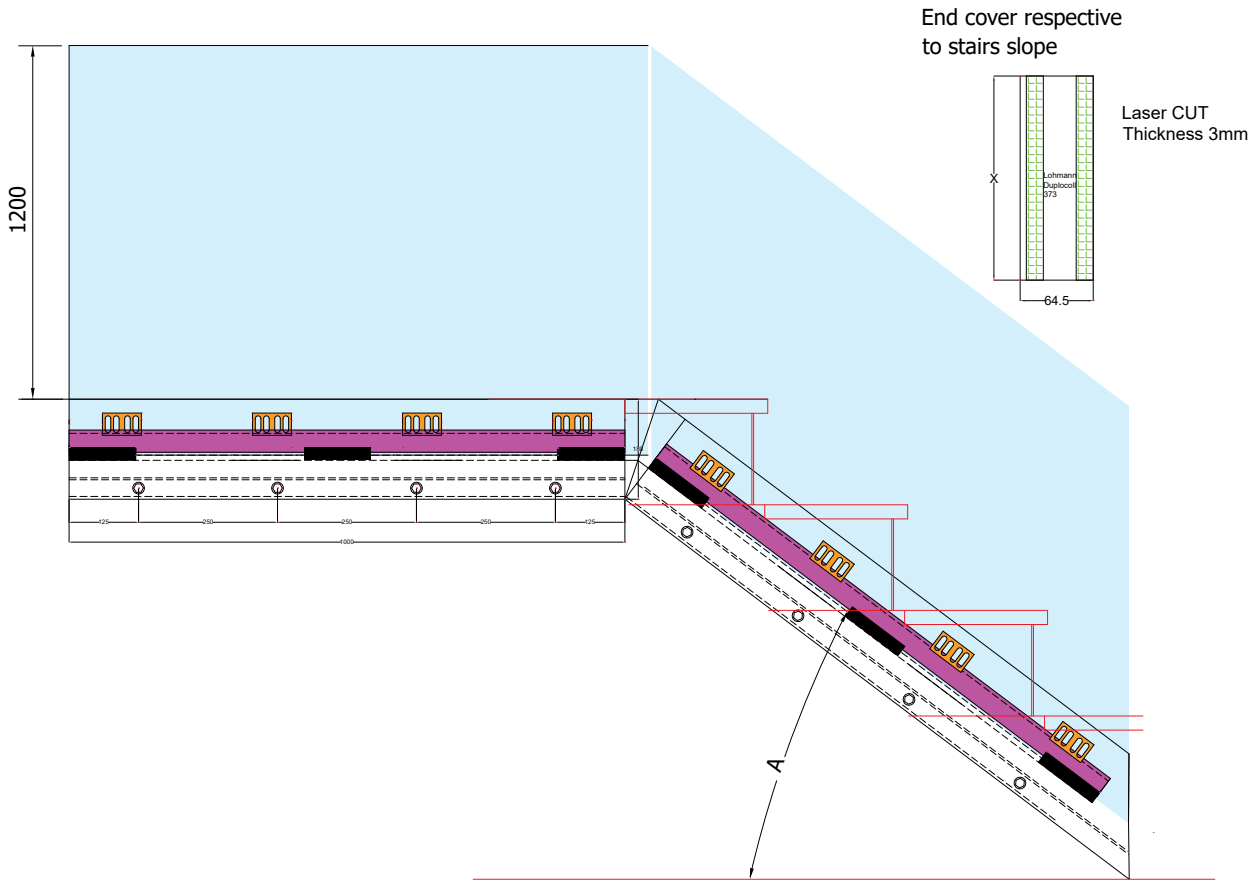
**An effective but also stylish
solution for staircases.**

The Side mount edition is an impressive option for staircases, capable of easily adapting to a wide variety of challenging structures.

**Une solution efficace mais
aussi élégante pour les
escaliers.**

L'édition à montage en applique est une option impressionnante pour les escaliers, capable de s'adapter facilement à une grande variété de structures difficiles.

Installation of supporting profile / Installation du profil de sol



Slim•line

SIDE MOUNT

Shoe base installation / Installation des embases



BASE PROFILE EMBASE PROFIL	
Code	F85-1B69
Weight/Poids	7734 gr/m



BASE COVER PROFILE PROFIL CACHE FRONTAL	
Code	F85-1K69
Weight/Poids	1375 gr/m



INTERNAL CORNER COUDE INTERIEURE	
Code	F85-541
Length/Longueur	30x30 cm



EXTERNAL CORNER COUDE EXTERIEURE	
Code	F85-542
Length/Longueur	30x30 cm



END COVER PROFILE PROFIL CACHE FRONTAL	
Code	F85-1K70 5.5.4, 6.6.4
Weight/Poids	134 gr/m
Length/Longueur	6 m



END COVER PROFILE PROFIL CACHE FRONTAL	
Code	F85-1K72 8.8.4, 10.10.4
Weight/Poids	110 gr/m
Length/Longueur	6 m



STAIRS COVER PROFILE PROFIL CACHE FRONTAL	
Code	F85-1K74
Weight/Poids	280 gr/m
Length/Longueur	6 m



COUNTER-BALANCE GASKET JOINT DE VERRE (EMBASE)	
Code	F85-417 (10.10.4)
Material	PVC



COUNTER-BALANCE GASKET JOINT DE VERRE (EMBASE)	
Code	F85-418 (10.10.4)
Material	PVC



COMPONENT FOR BASE COMPOSANT POUR EMBASE	
Code	F85-461



HANGER COMPONENT COMPOSANT DE SUSPENSION	
Code	F85-462
Length/Longueur	1 m



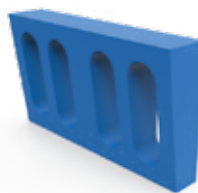
COUNTER-BALANCE GASKET JOINT DE VERRE (EMBASE)	
Code	F85-477* (5.5.4, 6.6.4, 8.8.4) F85-419 (5.5.4, 6.6.4, 8.8.4)
Material	PVC
Length/Longueur	100 m
Hardness/Dureté	100 shore



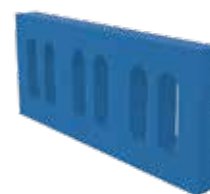
PIN / BROCHE	
Code	F85-481
Material	Inox 304



END CAP EMBOUT DE EMBASE	
Code	F85-496



BASIC WEDGE FOR GLASS CALE PLASTIQUE L70mm	
Code	F85-575 (5.5.4, 6.6.4) F85-576 (8.8.4, 10.10.4)



COUNTER-BALANCE WEDGE PVC JOINT DE VERRE PVC	
Code	F85-577 (5.5.4, 6.6.4, 8.8.4)

For profiles F85-1K63, 1K64, 1K65
Pour les profils F85-1K63, 1K64, 1K65

Slim•line

SIDE MOUNT



COUNTER-BALANCE WEDGE PVC
JOINT DE VERRE PVC

Code **F85-581** (10.10.4)



PLASTIC GLASS SUPPORT
SUPPORT DE VERRE PLASTIQUE

F85-591 (5.5.4)

Code **F85-592** (6.6.4)

F85-593 (8.8.4)

Material **PVC**



PLASTIC GLASS SUPPORT
SUPPORT DE VERRE PLASTIQUE

Code **F85-594** (10.10.4)

Material **PVC**



ALLEN TORX CONCRETE SCREW 10X120
ANCRAGE POUR BÉTON 10X120

Code **EBM-10120G/2**



GLAZING GASKET 1mm
JOINT DE VITRAGE 1mm

Code **EA410-420M**

Material **EPDM**

Length/Longueur **350 m**



CONCRETE SCREW Ø12-110
ANCRAGE POUR BÉTON Ø12-110

Code **EBM12-110**



GLAZING GASKET
JOINT DE VITRAGE

Code **US521-01**
(5.5.4, 8.8.4, 10.10.4)

Slim·line

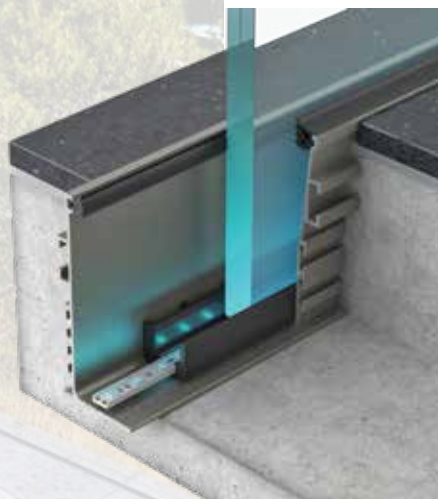
IN-FLOOR

In-floor wedge system
Système encastré

Slim Line In-floor edition is a stylish, modern balustrade for both indoor and outdoor use. You see only glass, without any interruptions to detract from the look. A system that greatly reduces installation costs.

Features and benefits

- In-floor solution, in-floor mount installation.
- One-piece 3 m and 6 m base shoe.
- Specially hardened rubber seals support and protect the glass panel.
- Use of “wedge type” gasket to cover the inner gap.
- Compatible with tempered laminated glass and membrane types 5.5.4PVB, 6.6.4PVB, 8.8.4PVB and 10.10.4PVB.
- Max. construction height up to 1.20 m.
- Cap rails and handrails available in various sizes and shapes.
- Wide selection of shades.
- Elegant slim design.
- High performance and durability.
- Cost-effective solution.
- Quick and easy installation.



The optional LED Light

The optional LED Light System ensures a particularly bright and welcoming ambience.

L'édition Slim Line In-Floor est une balustrade moderne et élégante pour une utilisation à l'intérieur et l'extérieur. Vous ne voyez que du verre, sans aucune interruption au look. Un système qui réduit considérablement les coûts d'installation.

Caractéristiques et avantages

- Solution intégrée, installation intégrée.
- Embase monobloc de 3 m et 6 m.
- Des joints en caoutchouc spécialement durcis soutiennent et protègent le panneau de verre.
- Utilisation d'un joint de type “cale” pour couvrir l'espace intérieur.
- Compatible avec le verre feuilleté trempé et les types de membranes 5.5.4PVB, 6.6.4PVB, 8.8.4PVB et 10.10.4PVB
 - Hauteur maximum de construction jusqu' à 1.20 m.
 - Rails et mains courantes disponibles dans différentes tailles et formes.
 - Large choix de nuances.
 - Design mince et élégant.
 - Haute performance et durabilité.
 - Solution rentable.
 - Installation rapide et facile.

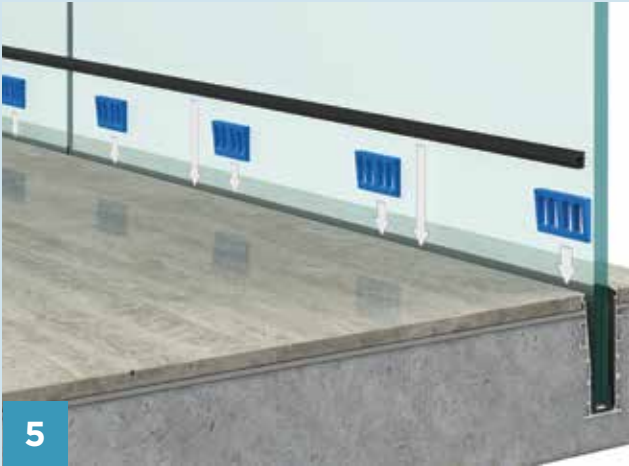
La lumière LED optionnelle

Le système d'éclairage à LED en option assure une ambiance particulièrement lumineuse et accueillante.

Slim•line

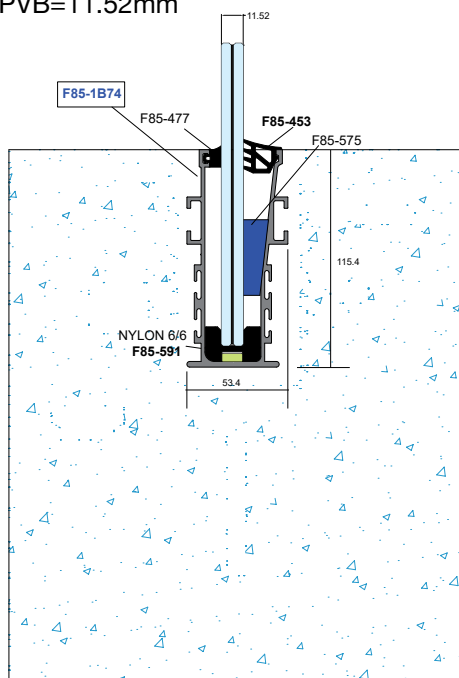
In-floor wedge system

Installation step by step / Assemblage base de support

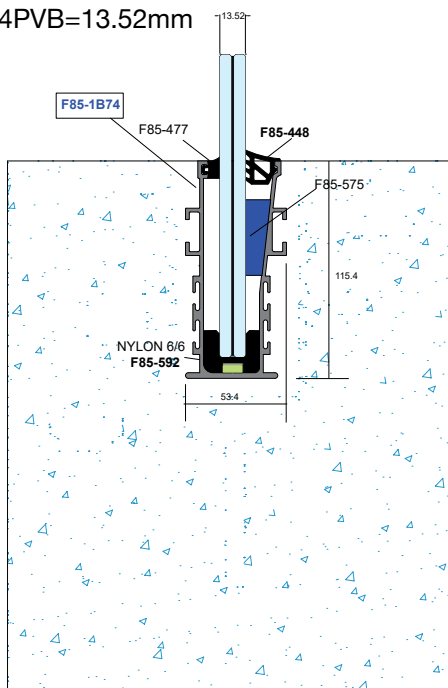


Sections

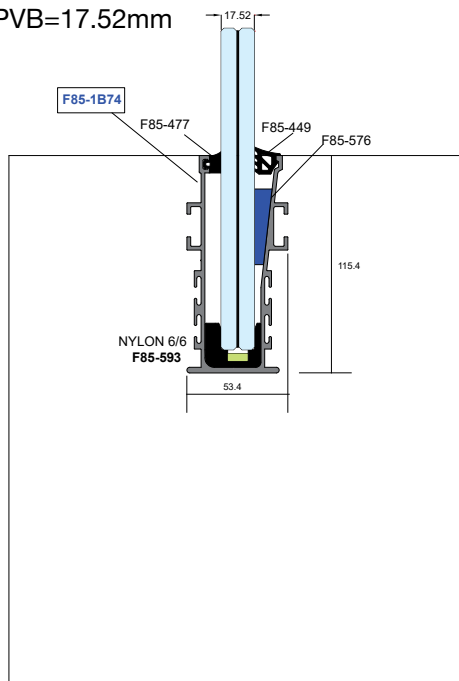
55.4PVB=11.52mm



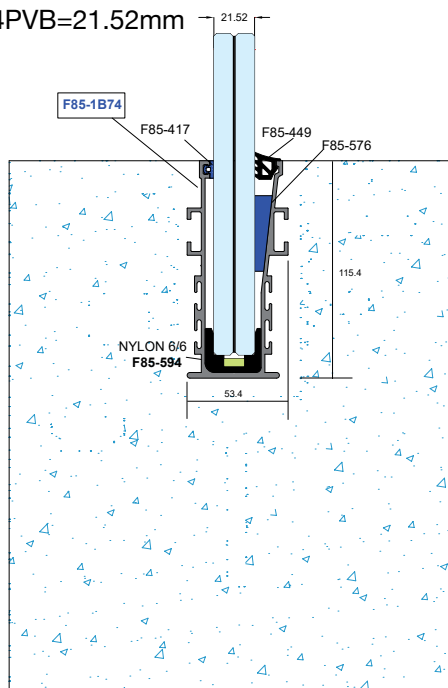
66.4PVB=13.52mm



88.4PVB=17.52mm



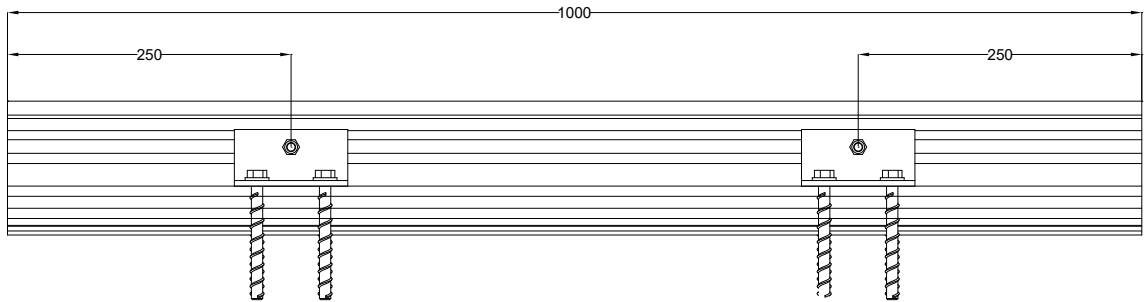
1010.4PVB=21.52mm



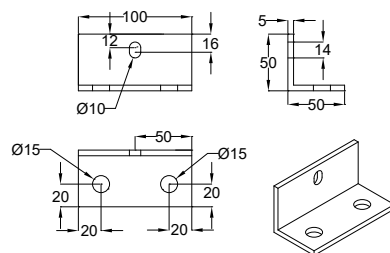
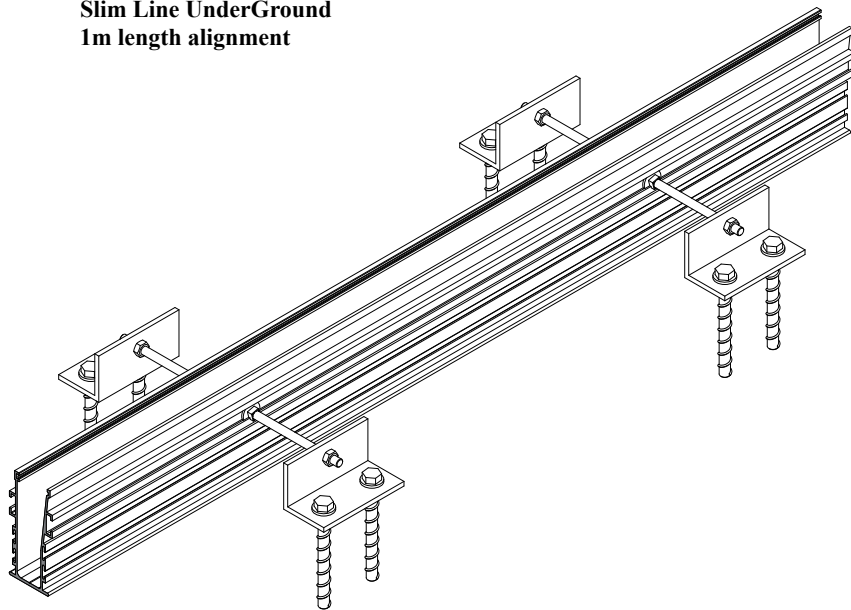
Slim•line

In-floor wedge system

Shoe base installation / Installation des embases

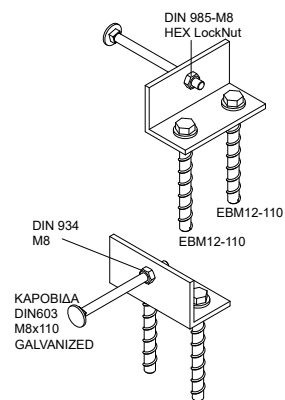


Slim Line UnderGround
1m length alignment

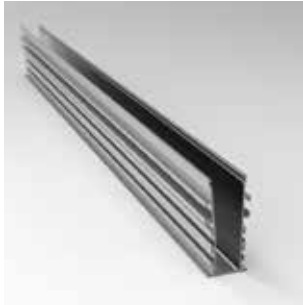


Manufactured as SET
with screws.
L-shape profile as Alloy:

--AL 6063-T6--

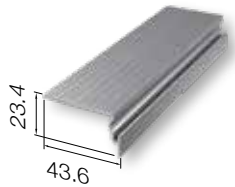


Installation of supporting profile / Installation du profil de sol



**BASE PROFILE SLIM LINE
EMBASE PROFIL SLIM LINE**

Code	F85-1B74
Weight/Poids	2532 gr/m



**ADDITIONAL PROFILE FOR IN-FLOOR GUIDE
PROFIL SUPPLEMENTAIRE DU
GUIDAGE ENCASTRE**

Code	F85-1M15
Weight/Poids	281 gr/m
Length/Longueur	6 m



**COUNTER-BALANCE GASKET
JOINT DE VERRE (EMBASE)**

Code	F85-417 (10.10.4)
Material	PVC



**GASKET FOR BASE FOR GLASS
JOINT POUR VERRE**

Code	F85-453 (5.5.4)
Material	EPDM



**GASKET FOR BASE FOR GLASS
JOINT POUR VERRE**

Code	F85-448 (6.6.4) F85-449 (8.8.4, 10.10.4)
Material	EPDM



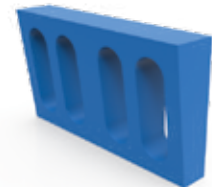
**COMPONENT FOR BASE
COMPOSANT POUR EMBASE**

Code	F85-461
------	----------------



**GASKET FOR BASE FOR GLASS
JOINT POUR VERRE 6+6 4PVB**

Code	F85-477 (5.5.4, 6.6.4, 8.8.4)
Material	PVC
Length/Longueur	100 m
Hardness/Dureté	100 shore



**BASIC WEDGE FOR GLASS
CALE PLASTIQUE L70mm**

Code	F85-575 (5.5.4, 6.6.4) F85-576 (8.8.4, 10.10.4)
------	--



**COUNTER-BALANCE WEDGE PVC
JOINT DE VERRE PVC**

Code	F85-577 (5.5.4, 6.6.4, 8.8.4)
------	--------------------------------------



**COUNTER-BALANCE WEDGE PVC
JOINT DE VERRE PVC**

Code	F85-581 (10.10.4)
------	--------------------------



**PLASTIC GLASS SUPPORT
SUPPORT DE VERRE PLASTIQUE**

Code	F85-591 (5.5.4) F85-592 (6.6.4) F85-593 (8.8.4)
Material	PVC



**PLASTIC GLASS SUPPORT SUP-
PORT DE VERRE PLASTIQUE**

Code	F85-594 (10.10.4)
Material	PVC



Top handrails & brackets

All Crystalline systems can be optionally mounted with a top handrail. Available in three different sizes and shapes, two round one of 50 mm diameter and an oval in 76 mm width. The handrails are designed to be mounted and secured on the glass panel using rubber gaskets.

In cases where the handrail is desired or specified to be side mounted on the glass panel, special brackets are applied on the drilled glass panel.

Available in all RAL shades, wood imitation and brushed anodized same as all Crystalline profiles.



Mains courantes & supports

Nos profilés Crystal Line sont optionnellement disponible avec des mains courantes. Nos trois modèles, 2 de forme ronde de diamètre 50 mm et un ovale de dimension 76 mm sont conçus de telle façon qu'ils sont applicables sur le vitrage en utilisant un joint.

Si la main courante doit-être fixée en applique dans le vitrage nous avons des supports prévus à cet égard. Toutes nos mains courantes sont disponibles en couleur RAL ou en look Inox.



Top handrails & brackets



Round handrail Ø50 / Courante Ø50	
Code	F85-202
Slug gasket / Joint	
Code	EA410-420M (5.5.2)



Oval shaped handrail / Courante ovale	
Code	F85-203
"U" shaped gasket / Joint	
Code	F85-406 (8.8.4) F85-407 (10.10.4)



Round handrail Ø50 / Courante Ø50	
Code	F85-204
"U" shaped gasket / Joint	
Code	F85-406 (8.8.4) F85-407 (10.10.4)



Handrail / Courante	
Code	F85-313 (6.6.4) F85-317 (8.8.4) F85-321 (10.10.4)



Handrail support/Mains courante raccord F50-200	
Code	4148



Handrail support F50-200 Fixation articulée sur verre F50-200	
Code	F85-451

Mains courantes & supports

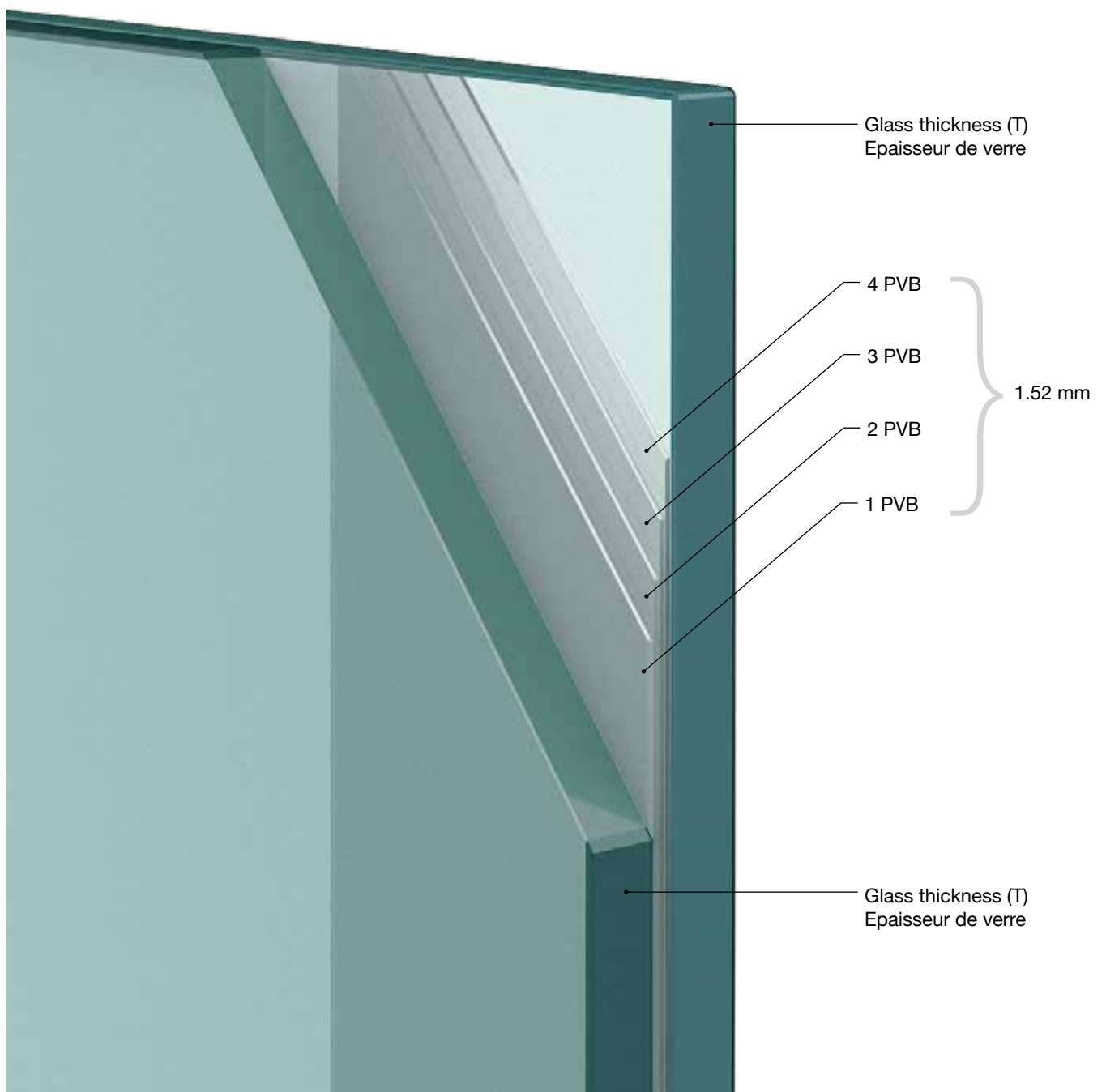


Silicon gun / Pistolet de silicon
Code **UA400.01DUU**

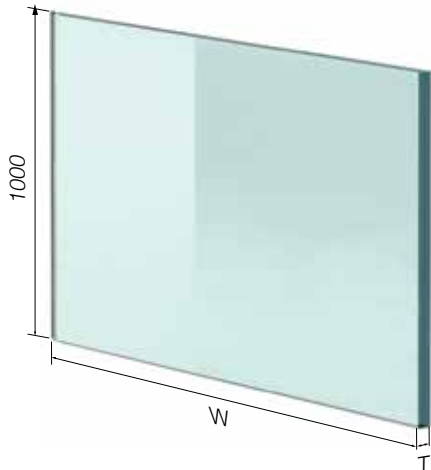
Neutral silicon / Silicone neutral
Code **UA210.02BLX**

Glass

Glass detail / Detail du verre



Verre



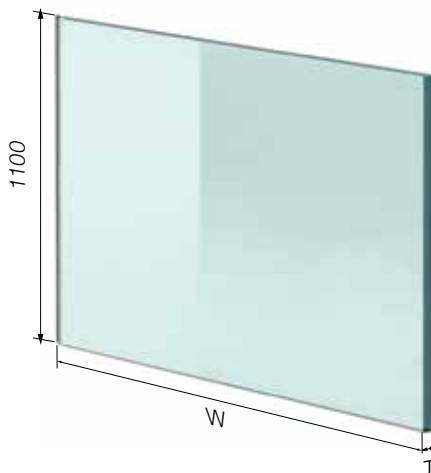
Glass dimensions 1000 mm / Dimensions de verre 1000 mm

Height / La taille: 1000 mm		8.8.4 (17.52)
Code	W	Weight/Poids Kg
F85-GL16U10	600	24
F85-GL16U11	800	32
F85-GL16U07	900	36
F85-GL16U08	1000	40
F85-GL16U12	1100	44
F85-GL16U09	1200	48
F85-GL16U13	1300	52

** Immediately available from stock!
Immédiatement disponible en stock!*

Height / La taille: 1000 mm		5.5.2 (10.76)
Code	W	Weight/Poids Kg
F85-GL10U03	500	12.5
F85-GL10U04	600	15
F85-GL10U05	800	20
F85-GL10U01	900	22.5
F85-GL10U02	1000	25
F85-GL10U06	1100	27.5
F85-GL10U07	1200	30

** Immediately available from stock!
Immédiatement disponible en stock!*



Glass dimensions 1100 mm / Dimensions de verre 1100 mm
Dimensions may vary due to perimetric grinding.

Height / La taille: 1000 mm		8.8.4 (17.52)
Code	W	Weight/Poids Kg
F85-GL16U14	600	26.4
F85-GL16U15	800	35.2
F85-GL16U16	900	39.6
F85-GL16U12	1000	44
F85-GL16U17	1100	48.4
F85-GL16U18	1200	52.8

** Immediately available from stock!
Immédiatement disponible en stock!*

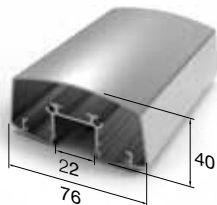
Accessories

Glass supporting system

Handrail profile / Main courantes



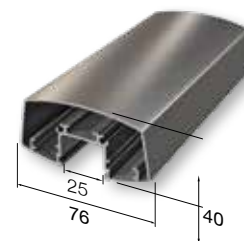
Round handrail/Main courante ronde	
Code	F50-200
Weight/Poids	814 gr/m
Length/Longueur	6 m



Oval shaped handrail Courante ovale 76x40	
Code	F85-200
Weight/Poids	1104 gr/m
Length/Longueur	6 m



Round handrail Ø50/ Courante Ø50	
Code	F85-202
Weight/Poids	721 gr/m
Length/Longueur	6 m



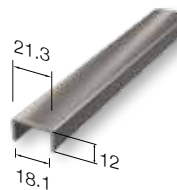
Oval shaped handrail Courante ovale	
Code	F85-203
Weight/Poids	1096 gr/m
Length/Longueur	6 m



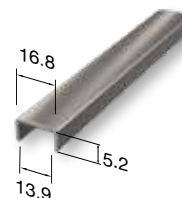
Handrail 30x80 Main courante 30x80	
Code	F50-201
Weight/Poids	1350 gr/m
Length/Longueur	6 m



Round handrail Ø50 / Courante Ø50	
Code	F85-204
Weight/Poids	973 gr/m
Length/Longueur	6 m



Handrail 8.8.4 Courante pour verre 8.8.4	
Code	F85-317
Weight/Poids	198 gr/m
Length/Longueur	6 m

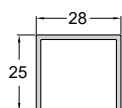


Handrail 6.6.2 / 6.6.4 Main courante 6.6.2 / 6.6.4	
Code	F85-313
Weight/Poids	99 gr/m
Length/Longueur	6 m

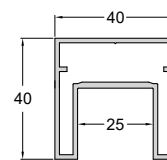
Universal handrails / Mains courantes universelles



Handrail 10.10.4 Main courante 10.10.4	
Code	F85-321
Weight/Poids	219 gr/m
Length/Longueur	6 m



Universal Handrail Main courante universelle	
Code	F85-322
Weight/Poids	304 gr/m
Length/Longueur	6 m



Universal Handrail Main courante universelle	
Kwδ./Code	F85-323
Weight/Poids	867 gr/m
Length/Longueur	6 m



Handrail caps / Embouts



Handrail end cap F85-203 Embout de main courante F85-203	
Code	F85-403



Handrail end cap F85-202/204 Embout de main courante F85-202/204	
Code	F85-404



Handrail cap F50-200 Embout pour F50-200	
Code	4434



Handrail cap F50-201 Embout pour F50-201	
Code	4447



Handrail cap F50-200 flat Ø50 Embout pour F50-200 Ø50	
Code	4453

Accessoires et viserie

Handrail connection accessories, seam covers / Coudes



Handrail connector F85-202/204 Straight
Coude de F85-202/204 Droit

Code	4251
------	------



Handrail connector F85-202/204 Angled
Coude de F85-202/204 en Angle

Code	4253
------	------



Handrail seam cover F85-203
Cache du mur de main courante F85-203

Code	F85-402
------	---------



Handrail seam cover Ø50 with cover
Depart du mur Ø50

Code	4509Z
------	-------



Wall support for handrail F85-202
Fixation murale de main courante F85-202

Code	F85-452
------	---------



Wall support for handrail F50-200
Fixation murale F50-200

Code	4134
------	------



Wall support for handrail F50-200
Fixation murale F50-200

Code	4140
------	------



Wall support for handrail F50-200
Fixation murale F50-200

Code	4141
------	------



Wall support for handrail F50-200
Fixation murale F50-200

Code	4165
------	------



Handrail support F50-200
Fixation articulée sur verre F50-200

Code	F85-451
------	---------



Handrail support F50-200
Fixation articulée sur verre F50-200

Code	4148-200 (Inox 304) 4148-201 (Inox 316)
------	--



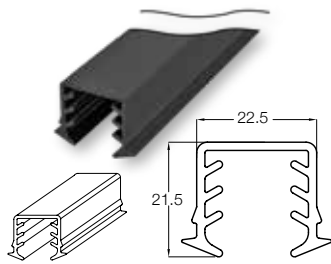
Handrail support F50-201
Fixation articulé sur verre F50-201

Code	F85-454
------	---------

Accessories

Glass supporting system

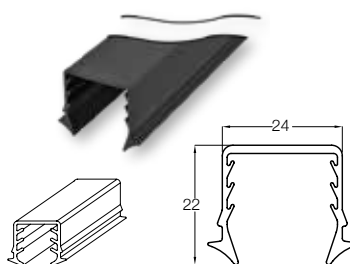
Handrail gaskets / Joints de main courrante



"U" shaped gasket / Joint

Code **F85-406** (8.8.4)

for glass / pour verre 8 mm+4PVB+8 mm



"U" shaped gasket / Joint

Code **F85-407** (10.10.4)

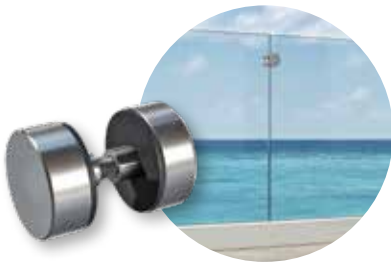
for glass / pour verre 10 mm+4PVB+10 mm



Slug gasket / Joint

Code **EA410-420M**

Miscellaneous / Divers



Glass alignment rosette
Rosace Ø30 d'Align. verre inox 316

Code **F85-D130**
(8.8.4) (10.10.4)



Type A cover extractor
Extracteur pour cach frontale

Code **F85-E011**



Screw DIN 7991 M10x70 Inox
Vis DIN 7991 M10x70 Inox

Code **D7991-0023I**

Fixing screws / Viserie



Inox allen screw M10x70
Cheville en 316

Code **EB912-1070**



Inox HEX screw M10x80

Code **EB933-1080**



Expansion plug/Coque d' expansion

Code **EB01M-1060**



Concrete Torx/Vis de beton 7.5x112

Code **EBM-75112G**



Concrete Screw/Vis de beton Ø12-110

Code **EBM12-110**



ALLEN TORX CONCRETE SCREW 10X120
ANCRAGE POUR BÉTON 10X120

Code **EBM-10120G/2**



320 11 Inofita Viotia, Greece

T. +30 22620 47000

F. +30 22620 47090

www.aluminco.com

info@aluminco.com